

Variable Orifice Flange Balancing Valve

Model: SD-93739

SD-93739 Series flanged balancing valves are designed according to BS7350 and used where an accurate flow measurement in big heating or cooling systems is needed. The Ductile Iron valves have flanges PN25 and a valve position storage device, enabling the opening and closing of the valve at the pre-set position. They are supplied with binder points.



Product Specifications:

Working Pressure	PN25
Working Temperature	-10°C - 100°C
Flange & Drilling	BS EN1092-2 PN25

Variable Orifice Flange Balancing Valve

Product Dimensions:

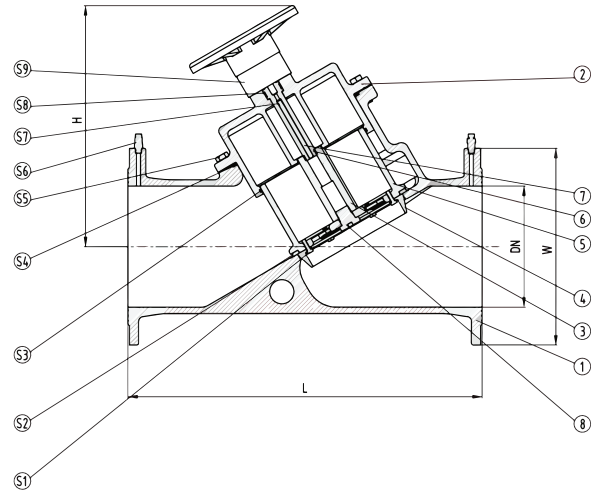
Variable Orifice Balancing Valve

DN	L	W	H
65	290	185	145
80	310	200	160
100	350	235	190
125	400	270	220
150	480	300	250
200	600	360	310
250	730	425	370
300	850	485	430
350	980	555	490
400	1100	620	550

NOTE: Dimensions are in mm

Drawing Specification

No.	Part	Material
1	Body	Ductile Iron
2	Bonnet	Ductile Iron
3	Stem Barrel	Ductile Iron
4	Disc	Ductile Iron + EPDM
5	Sleeve	Ductile Iron
6	Stem	Stainless Steel
7	Limit Screw	Brass/SS304
8	Screw	SS304
S1	Bolt	SS304
S2	Sealing	EPDM
S3	O Ring	EPDM
S4	O Ring	EPDM
S5	Bolt	Carbon Steel
S6	Testing Point	Brass
S7	O Ring	EPDM
S8	O Ring	EPDM
S9	Hand Wheel	Nylon-66/DI



Variable Orifice Flange Balancing Valve

Miscellaneous Data:

1. Ordering Information

Example: SD-93739-100

- SD-93739 is the part number
- (100) Size

2. Contact Information

For further information on any aspect of the SHIELD Valves products please contact below:

MIDDLE EAST & AFRICA	UNITED KINGDOM
Jebel Ali Free Zone, Dubai, UAE P.O Box: 61199 Tel.: +971 4 881 2070 Fax: +971 4 881 2198 Email: shieldme@shielglobal.com	Unit 3, Endeavor Drive, Basildon-Essex, SS3 14WF Tel.: +44 1708 377731 Fax: +44 1708347637 Email: shielduk@shielglobal.com