

Variable Orifice Flange Balancing Valve

Model: SD-93739

SD-93739 Series flanged balancing valves are designed according to BS7350 and used where an accurate flow measurement in big heating or cooling system is needed. The cast iron valves have flanges PN16 and a valve position storage device, enabling the opening and closing of the valve at the pre-set position.



Product Specifications:

Working Pressure	PN16
Working Temperature	-10°C - 120°C
Flange & Drilling	BS EN1092-2 PN16

Variable Orifice Flange Balancing Valve

Product Dimensions:

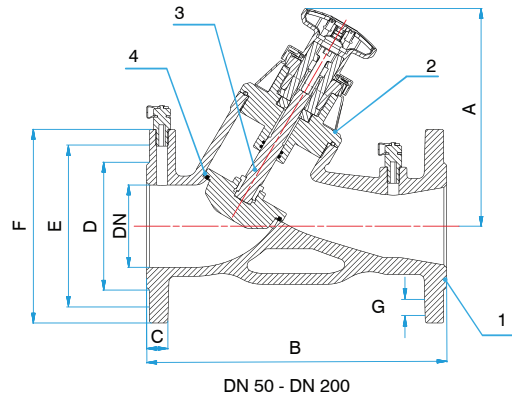
Variable Orifice Balancing Valve

DN	A	B	C	D	E	F	G	No of Holes	Kvs
50	190	230	20	100	125	165	19	4	47.5
65	214	290	20	118	145	185	19	4	79.7
80	225	310	22	132	160	200	19	8	116.8
100	334	350	24	156	180	220	19	8	196.8
125	388	400	26	178	210	250	19	8	360.0
150	403	480	26	211	240	285	23	8	387.8
200	655	600	30	266	295	340	23	12	724.8
250	698	730	32	319	319	405	28	12	866.0
300	716	850	32	370	410	460	28	12	1474.6

NOTE: Dimensions are in mm

Drawing Specification

No.	Part	Material
1	Body	Cast Iron
2	Bonnet	Cast Iron
3	Stem	Stainless Steel
4	Disc	Ductile Iron + EPDM



Variable Orifice Flange Balancing Valve

Miscellaneous Data:

1. Ordering Information

Example: SD-93739-100

- SD-93739 is the part number
- (100) Size

2. Contact Information

For further information on any aspect of the SHIELD Valves products please contact below:

MIDDLE EAST & AFRICA	UNITED KINGDOM
Jebel Ali Free Zone, Dubai, UAE P.O Box: 61199 Tel.: +971 4 881 2070 Fax: +971 4 881 2198 Email: shieldme@shielglobal.com	Unit 3, Endeavor Drive, Basildon-Essex, SS3 14WF Tel.: +44 1708 377731 Fax: +44 1708347637 Email: shielduk@shielglobal.com