

# Pressure Independent Control Balancing Valve

**Model: SD-9776**

Pressure Independent Control Valve is a multi-functional valve combining the operation of 3 different valves in one convenient and compact unit. The PICV act as a differential pressure control valve, a regulation valve and a 2-port control valve.



## Product Specifications:

Working Pressure	PN25
Working Temperature	0°C - 120°C
Differential Pressure	4 Bar
High Flow	244 l/h ~ 8586 l/h
Low Flow	78 l/h ~ 1700 l/h

# Pressure Independent Control Balancing Valve

## Product Dimensions:

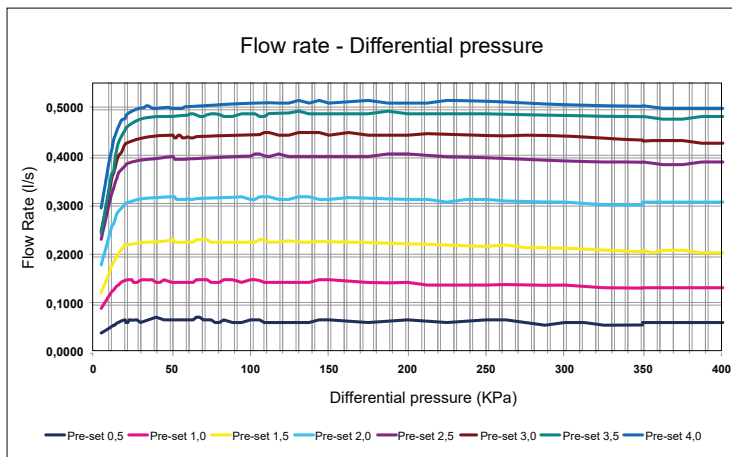
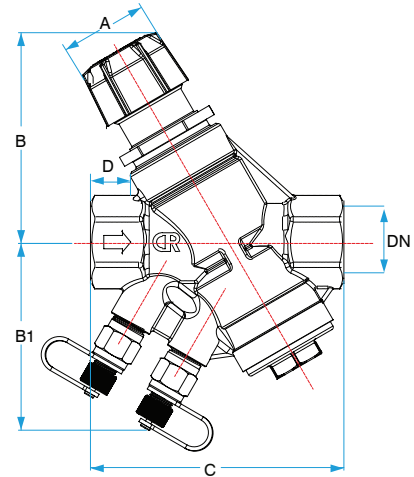
### Pressure Independent Control Valve

DN	A	B	B1	C	D	Kvs (HF)
15	35	79	72	95.5	14	4.06
20	35	79	72	96.5	15	4.34
25	35	79	72	102.5	16	4.34
32	35	85	83	128.0	17	7.20
40	35	119	91	144.5	17	13.94
50	35	126	94	155.0	20	15.18

NOTE: Dimensions are in mm

### Drawing Specification

No.	Part	Material
1	Body	DZR Brass
2	Testing Point	DZR Brass
3	Threads	ISO 228



# Pressure Independent Control Balancing Valve

## Miscellaneous Data:

### 1. Ordering Information

Example: SD-9776-20

- SD-9776 is the part number
- (20) Size

### 2. Contact Information

For further information on any aspect of the SHIELD Valves products please contact below:

MIDDLE EAST & AFRICA	UNITED KINGDOM
Jebel Ali Free Zone, Dubai, UAE P.O Box: 61199 Tel.: +971 4 881 2070 Fax: +971 4 881 2198 Email: shieldme@shielglobal.com	Unit 3, Endeavor Drive, Basildon-Essex, SS3 14WF Tel.: +44 1708 377731 Fax: +44 1708347637 Email: shielduk@shielglobal.com