

# Fixed Orifice Flange Balancing Valve

## Model: SD-93739

SD-93739 series is designed according to BS7350. Fixed orifice flanged balancing valves are used where an accurate flow measurement in big heating or cooling systems is needed. The ductile iron valves have flanges PN16 and a valve position storage device, enabling the opening and closing of the valve at the pre-set position.



## Product Specifications:

|                     |               |
|---------------------|---------------|
| Working Pressure    | PN16          |
| Working Temperature | -10°C - 120°C |
| Flange & Drilling   | EN1092-2 PN16 |

# Fixed Orifice Flange Balancing Valve

## Product Dimensions:

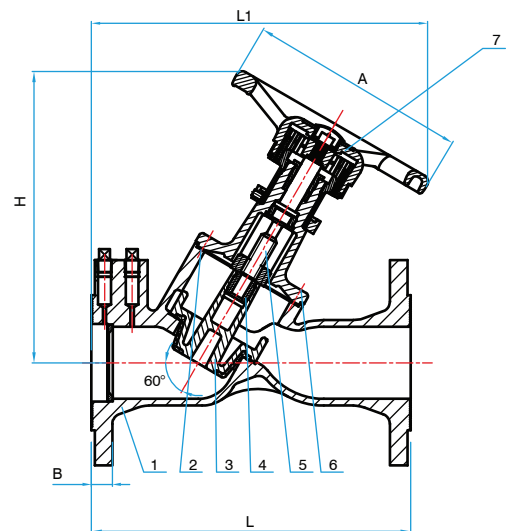
### SD 93739, Fixed Orifice DRV Valve

| DN  | H   | L   | L1  | B    | A   | No. of Holes |
|-----|-----|-----|-----|------|-----|--------------|
| 65  | 265 | 290 | 310 | 19.0 | 200 | 4            |
| 80  | 270 | 10  | 320 | 19.0 | 200 | 8            |
| 100 | 310 | 350 | 360 | 19.0 | 240 | 8            |
| 125 | 340 | 400 | 415 | 19.0 | 290 | 8            |
| 150 | 340 | 480 | 445 | 20.0 | 290 | 8            |
| 200 | 537 | 600 | 620 | 22.0 | 350 | 12           |
| 250 | 570 | 730 | 720 | 24.5 | 420 | 12           |
| 300 | 690 | 850 | 875 | 27.5 | 420 | 12           |

NOTE: Dimensions are in mm

## Drawing Specification

| No. | Part        | Material            |
|-----|-------------|---------------------|
| 1   | Body        | Ductile Iron        |
| 2   | Seal Gasket | EPDM                |
| 3   | Disc        | Ductile Iron + EPDM |
| 4   | Stem Nut    | Brass               |
| 5   | Stem        | Stainless Steel     |
| 6   | Cover       | Ductile Iron        |
| 7   | Hand Wheel  | Ductile Iron        |



# Fixed Orifice Flange Balancing Valve

## Miscellaneous Data:

### 1. Ordering Information

Example: SD-93739-100

- SD-93739 is the part number
- (100) Size

### 2. Contact Information

For further information on any aspect of the SHIELD Valves products please contact below:

| MIDDLE EAST & AFRICA  | UNITED KINGDOM   |
|---|--|
| Jebel Ali Free Zone, Dubai, UAE<br>P.O Box: 61199<br>Tel.: +971 4 881 2070<br>Fax: +971 4 881 2198<br>Email: shieldme@shielglobal.com | Unit 3, Endeavor Drive, Basildon-Essex,<br>SS3 14WF<br>Tel.: +44 1708 377731<br>Fax: +44 1708347637<br>Email: shielduk@shielglobal.com |