

# Bronze Globe Valve

Metal to Metal Seating

## Model: SD-GV20

The SD-GV20 Globe Valve is manufactured in BS5154. An economical bronze globe valve with a PTFE valve disc and a non-return design, preventing reverse flow when in the open position. Suitable for isolation duty providing a leak tight shut-off.



## Product Specifications:

Working Pressure	PN20
Working Temperature	-10°C - 170°C
Thread	BS 21 (B.S.P.T.)

# Bronze Globe Valve

Metal to Metal Seating

## Product Dimensions:

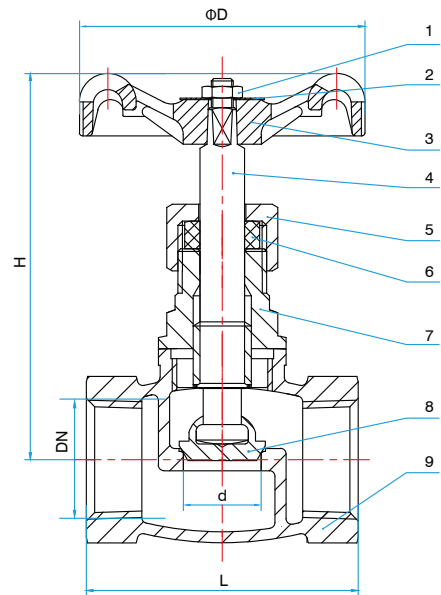
### Bronze Globe Valve

DN	d	L	H	ØD
15	14	52	70	60
20	19	63	82	65
25	24	76	92	70
32	32	84	108	78
40	38	98	120	92
50	48	116	140	103

NOTE: Dimensions are in mm

### Drawing Specification

No.	Part	Material
1	Hand-Wheel Nut	Stainless Steel
2	Name Plate	Aluminium
3	Hand Wheel	Aluminium
4	Stem	DZR Brass
5	Packing Nut	Brass
6	Packing	PTFE
7	Bonnet	Bronze
8	Disc	Bronze
9	Body	Bronze



# Bronze Globe Valve

Metal to Metal Seating

## Miscellaneous Data:

### 1. Ordering Information

Example: SD-GV20-20

- SD-GV20 is the part number
- (20) Size

### 2. Contact Information

For further information on any aspect of the SHIELD Valve products please contact below:

MIDDLE EAST & AFRICA	UNITED KINGDOM
Jebel Ali Free Zone, Dubai, UAE P.O Box: 61199 Tel.: +971 4 881 2070 Fax: +971 4 881 2198 Email: shieldme@shielglobal.com	Unit 3, Endeavor Drive, Basildon-Essex, SS3 14WF Tel.: +44 1708 377731 Fax: +44 1708347637 Email: shielduk@shielglobal.com