

Y Strainer

Model: SD-YS16

The SD-YS16 is manufactured in accordance with BS 4504. SHIELD Y-pattern strainers are used to filter foreign matter (contaminations/solids) which represents in every pipeline and can build up to cause blockage. It protects the pump suction inlets and pipeline equipment against faulty operation, thus preventing costly shutdown and protecting expensive pipeline equipment from being damaged.



Product Specifications:

Working Pressure	PN16
Working Temperature	0°C - 80°C
Thread	BS EN 1092-2 (PN16)
Approvals/Listings	WRAS Water Regulations Advisory Scheme

Y Strainer

Product Dimensions:

Y-Strainer

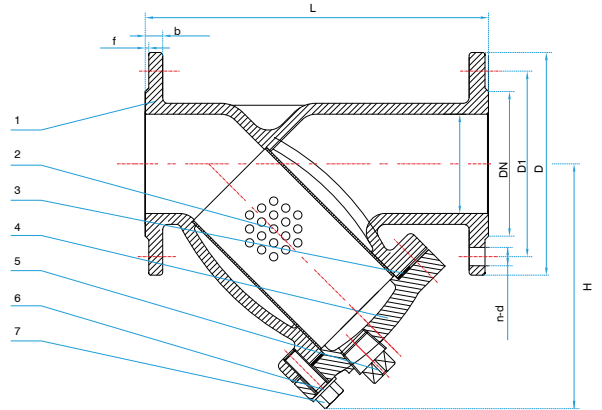
DN	PN	L	D	D1	b	n-Φd	f	H	Dia. Hole
50	16	230	165	125	19.0	4-Φ19	3	140.0	1.5
65	16	290	185	145	19.0	4-Φ19	3	175.0	1.5
80	16	310	200	160	19.0	8-Φ19	3	198.0	1.5
100	16	350	220	180	19.0	8-Φ19	3	229.0	1.5
125	16	400	250	210	19.0	8-Φ19	3	287.0	1.5
150	16	480	285	240	19.0	8-Φ23	3	304.0	1.5
200	16	600	340	295	20.0	12-Φ23	3	370.5	1.5
250	16	730	405	355	22.0	12-Φ28	3	469.0	1.5
300	16	850	460	410	24.5	12-Φ28	4	540.0	1.5

NOTE:

- ▶ Dimensions are in mm
- ▶ Mesh & Perforations can be resized upon request.
- ▶ Pressure drop chart can be provided upon request.
- ▶ PN25 rated valves are also available upon request.
- ▶ Available in AWWA standard upon request.

Drawing Specification

No.	Part	Material
1	Body	Ductile Iron
2	Screen	Stainless Steel 316
3	Cover	Ductile Iron
4	Gasket	EPDM
5	Plug	Malleable Iron (Galvanized)
6	Bolt	Stainless Steel 316
7	Flash Washer	Stainless Steel 316



Y Strainer

Miscellaneous Data:

1. Ordering Information

Example: SD-YS16

- SD-YS16 is the part number
- (50) Size

2. Contact Information

For further information on any aspect of the SHIELD Valves products please contact below:

MIDDLE EAST & AFRICA	UNITED KINGDOM
Jebel Ali Free Zone, Dubai, UAE P.O Box: 61199 Tel.: +971 4 881 2070 Fax: +971 4 881 2198 Email: shieldme@shielglobal.com	Unit 3, Endeavor Drive, Basildon-Essex, SS3 14WF Tel.: +44 1708 377731 Fax: +44 1708347637 Email: shielduk@shielglobal.com