

Spring Loaded Non-Return Valve

Model: SD-930

The SD-930 valve is manufactured in accordance with BS 5154/B - PN20 and EN ISO 9001 which can be used for heating, sanitary, pneumatic systems, waterworks, autoclaves & pumps. It is suitable for installation either in vertical or horizontal pipelines to allow in one direction.



Product Specifications:

Working Pressure	PN20
Working Temperature	-20°C - 110°C
Thread	ISO 228

Spring Loaded Non-Return Valve

Product Dimensions:

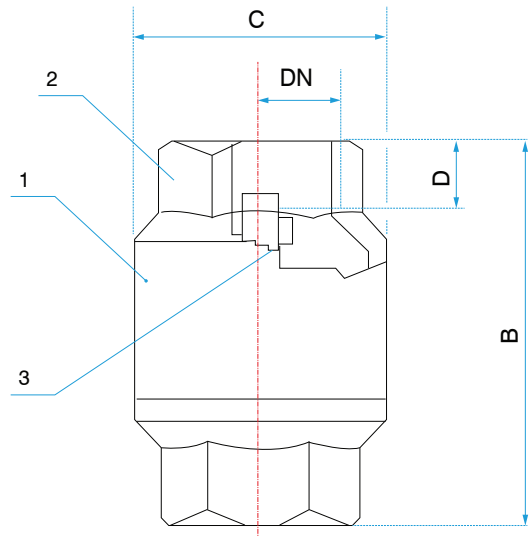
Spring Loaded Non-Return Valve

DN	B	C	D	Kv
15	55	35	12	3.7
20	62	42	13	7.0
25	72	50	14	13.0
32	82	60	16	21.0
40	96	70	18	25.0
50	109	83	20	38.0
65	129	103	25	108.0
80	141	123	25	192.0
100	146	160	26	264.0

NOTE: Dimensions are in mm

Drawing Specification

No.	Part	Material
1	Body	Brass
2	End Connector	Brass
3	Spring	Stainless Steel



Spring Loaded Non-Return Valve

Miscellaneous Data:

1. Ordering Information

Example: SD-930-20

- SD-930 is the part number
- (20) Size

2. Contact Information

For further information on any aspect of the SHIELD Valves products please contact below:

MIDDLE EAST & AFRICA	UNITED KINGDOM
Jebel Ali Free Zone, Dubai, UAE P.O Box: 61199 Tel.: +971 4 881 2070 Fax: +971 4 881 2198 Email: shieldme@shielglobal.com	Unit 3, Endeavor Drive, Basildon-Essex, SS3 14WF Tel.: +44 1708 377731 Fax: +44 1708347637 Email: shielduk@shielglobal.com