

Pressure Reducing Valve

Model: SD-91430N

The pressure reducing valves series SD-91430 are suitable for reduction and control of pressure in plants. It can be installed in both vertical and horizontal direction.



Product Specifications:

Working Pressure	PN25
Working Temperature	0 to 80°C, 0 to 130°C*
Max. Inlet Pressure	25 bar
Field of Action (Outlet Pressure)	0,5 - 6 bar (1,5 - 6 bar)*
Max. Temperature	80°C, 130°C*
Thread	ISO 228/1
Tested According to the Rules	DIN EN 1567
Suitable Fluids	Water & Air*, Diesel Oil
Reduction Rate	10:1

* Only for sizes 3" & 4".

Pressure Reducing Valve

Product Dimensions:

Pressure Reducing Valve

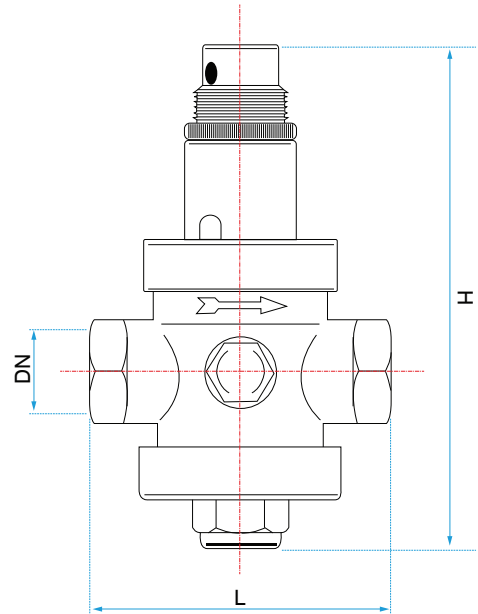
DN	H	L
15	120	75
20	150	85
25	160	89
32	220	125
40	220	130
50	250	138
65	260	145
80	285	177
100	310	190

NOTE: Dimensions are in mm

Drawing Specification

No.	Part	Material
1	Body	Nickel Plated, Brass Alloy
2	Inner Parts	Brass Alloy
3	Seat	Stainless Steel
4	O Rings	NBR 70 SH, VITON 70 SH*
5	Threads	ISO 228

* SD-91430-N Body Material Brass alloy is also available upon request.



Pressure Reducing Valve

Miscellaneous Data:

1. Ordering Information

Example: SD-91430N-20

- SD-91430N is the part number
- (20) Size

2. Contact Information

For further information on any aspect of the SHIELD Valves products please contact below:

MIDDLE EAST & AFRICA	UNITED KINGDOM
Jebel Ali Free Zone, Dubai, UAE P.O Box: 61199 Tel.: +971 4 881 2070 Fax: +971 4 881 2198 Email: shieldme@shielglobal.com	Unit 3, Endeavor Drive, Basildon-Essex, SS3 14WF Tel.: +44 1708 377731 Fax: +44 1708347637 Email: shielduk@shielglobal.com