

# Globe Valve

## Model: SD-16GV

The SD-16GV Globe valve is manufactured to BS 5163. A type of valve used for regulating flow in a pipeline consisting of movable disc element and stationary ring seat in a generally spherical body.



## Product Specifications:

Working Pressure	PN16
Working Temperature	10°C - 120°C
Flange & Drilling	BS EN 1092-2, PN16

# Globe Valve

## Product Dimensions:

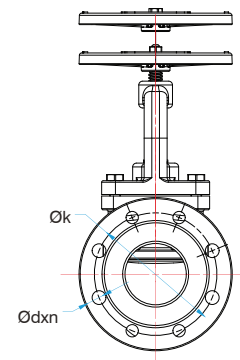
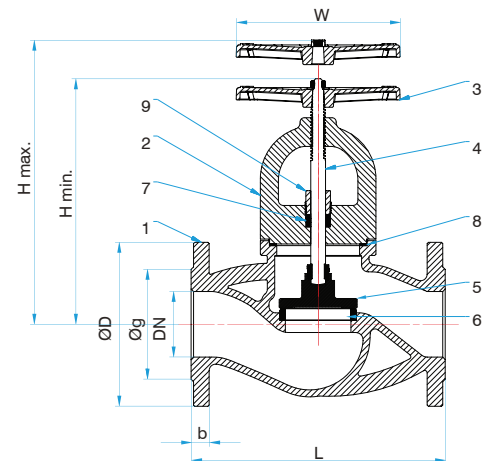
### Globe Valve

DN	L	H <sub>min</sub>	H <sub>max</sub>	W	ØD	Øk	Øg	b	Ødxn
50	230	245	310	160	165	125	99	20	19x4
65	290	265	310	200	185	145	118	20	19x4
80	310	290	345	200	200	160	132	22	19x8
100	350	310	395	250	220	180	156	24	19x8
125	400	365	455	315	250	210	184	26	19x8
150	480	425	535	315	285	240	211	26	23x8
200	600	570	680	400	340	295	266	30	23x12
250	730	730	800	500	405	355	319	32	28x12
300	850	850	870	500	460	410	370	32	28x12

NOTE: Dimensions are in mm

## Drawing Specification

No.	Part	Material
1	Body	Cast Iron
2	Bonnet	Cast Iron
3	Hand Wheel	Cast Iron
4	Stem	Stainless Steel 420
5	Disc	Stainless Steel 420 (15-50), Cast Iron (65-300mm)
6	Seat	Stainless Steel 420
7	Packing	Graphite
8	Gasket	EPDM
9	Packing Gland	Forced Brass



# Globe Valve

## Miscellaneous Data:

### 1. Ordering Information

Example: SD-16GV-50

- SD-16GV is the part number
- (50) Size

### 2. Contact Information

For further information on any aspect of the SHIELD Valves products please contact below:

MIDDLE EAST & AFRICA	UNITED KINGDOM
Jebel Ali Free Zone, Dubai, UAE P.O Box: 61199 Tel.: +971 4 881 2070 Fax: +971 4 881 2198 Email: shieldme@shielglobal.com	Unit 3, Endeavor Drive, Basildon-Essex, SS3 14WF Tel.: +44 1708 377731 Fax: +44 1708347637 Email: shielduk@shielglobal.com