

Check Valve Wafer Type

Model: SD-25CV-W

The SD-25CV-W Check valve is manufactured to BS EN 12334. Dual Door Check Valve is a compact body usually a wafer design and has a hinge pin which two opposing D-shaped disc rotate and torsion spring which wraps down the hinge pin. It is suitable for mounting in both horizontal and vertical pipeline.



Product Specifications:

Working Pressure	PN25
Working Temperature	-20°C - 120°C
Mounting Flange	BS EN 1092-2

Check Valve Wafer Type

Product Dimensions:

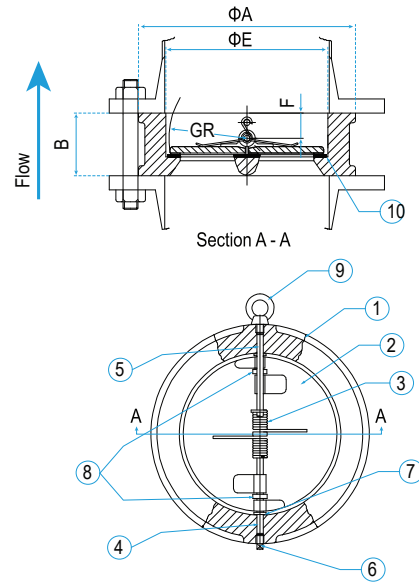
Dual Door Wafer Check Valve

DN	A	E	B	GR	F
100	162	117	64	52.8	27
125	192	145	70	65.7	30
150	218	171	76	78.6	31
200	273	224	89	104	33
250	328	265	114	127	50
300	378	310	114	148	43
350	438	360	127	172	45
400	488	410	140	197	52

NOTE: Dimensions are in mm.

Drawing Specification

No.	Part	Material
1	Body	Ductile Iron
2	Plate	SS304
3	Spring	SS304
4	Hinge Pin	SS410
5	Stop Pin	SS410
6	Plug	Stainless Steel
7	Body Bearing	PTFE
8	Spring Bearing	PTFE
9	Eye Bolt	Carbon Steel
10	Body Seat	EPDM



Check Valve Wafer Type

Miscellaneous Data:

1. Ordering Information

Example: SD-25CV-W-100

- SD-25CV-W is the part number
- (100) Size

2. Contact Information

For further information on any aspect of the SHIELD Valves products please contact below:

MIDDLE EAST & AFRICA	UNITED KINGDOM
Jebel Ali Free Zone, Dubai, UAE P.O Box: 61199 Tel.: +971 4 881 2070 Fax: +971 4 881 2198 Email: shieldme@shielglobal.com	Unit 3, Endeavor Drive, Basildon-Essex, SS3 14WF Tel.: +44 1708 377731 Fax: +44 1708347637 Email: shielduk@shielglobal.com