

Bronze Pressure Reducing Valve

Model: SD-PRV20/W

The pressure reducing valves series SD-PRV20/W is designed to provide a constant outlet pressure despite varying inlet pressure.

- The outlet pressure is adjustable between 1 to 4 bar.
- The inlet pressure must be higher than the designed pressure.
- This direct acting PRV can be installed in horizontal and vertical direction.



Product Specifications:

Working Pressure	PN20
Working Temperature	0°C ~ 70°C
Thread	BS 21 (B.S.P.T.)
Outlet Pressure	1 ~ 4 bar
Approvals/Listings	WRAS Water Regulations Advisory Scheme

Bronze Pressure Reducing Valve

Product Dimensions:

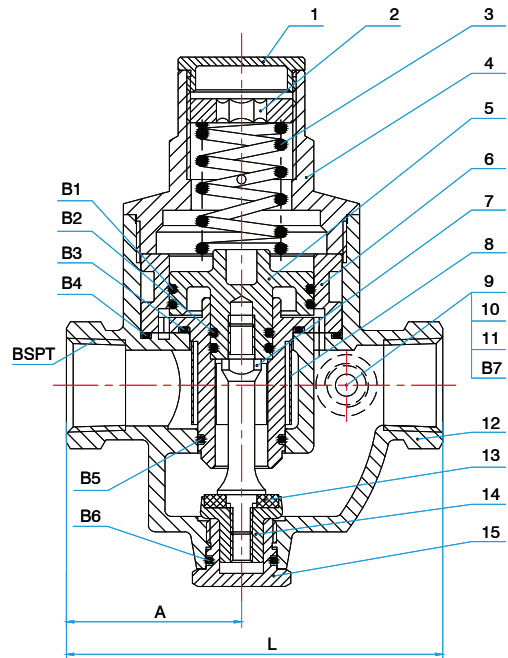
Bronze Pressure Reducing Valve

DN	L	A	A
15	89	41.5	41.5
20	92	43.0	43.0
25	98	46.0	46.0

NOTE: Dimensions are in mm

Drawing Specification

No.	Part	Material
1	Tap Lid	Bronze
2	Adjusting Screw	Bronze
3	Spring	65Mn Steel
4	Bonnet	Bronze
5	Core	Bronze
6	Core Seat	Brass
7	Connection Piece	Bronze
8	Mesh	Stainless Steel 304
9	Male Plug	Bronze
10	Gauge	Bronze
11	Gasket	NBR
12	Body	Bronze
13	Gasket	NBR
14	Disc	Bronze
15	Bottom Lid	Bronze
B-1B7	O Ring	NBR



Bronze Pressure Reducing Valve

Miscellaneous Data:

1. Ordering Information

Example: SD-PRV20/W-20

- SD-PRV20/W is the part number
- (20) Size

2. Contact Information

For further information on any aspect of the SHIELD Valves products please contact below:

MIDDLE EAST & AFRICA	UNITED KINGDOM
Jebel Ali Free Zone, Dubai, UAE P.O Box: 61199 Tel.: +971 4 881 2070 Fax: +971 4 881 2198 Email: shieldme@shielglobal.com	Unit 3, Endeavor Drive, Basildon-Essex, SS3 14WF Tel.: +44 1708 377731 Fax: +44 1708347637 Email: shielduk@shielglobal.com