

Brass Foot Valve

Model: SD-GFV10

A foot valve end strainer is a non-return valve designed to be put on end of a hose to suction lift out of tanks. The strainer prevents larger solids from entering without restricting the fluid flow.



Product Specifications:

Working Pressure	PN10
Working Temperature	10°C -110°C
Thread	ISO 228

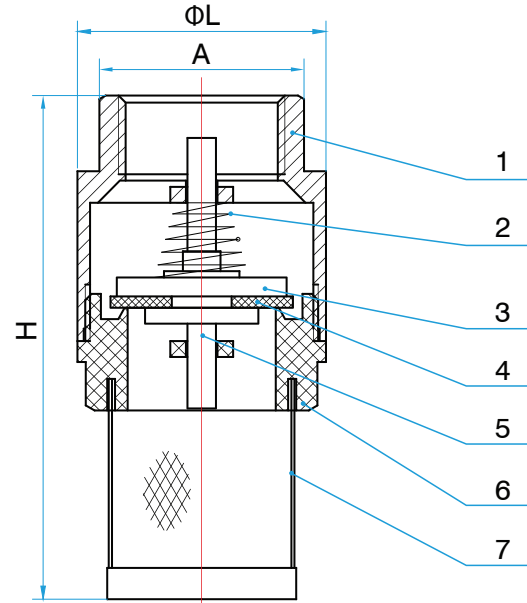
Brass Foot Valve

Product Dimensions:

Brass Foot Valve

DN	ØL	H	A
15	33.5	70	24.0
20	41.0	80	30.9
25	45.5	93	37.2
32	56.0	98	46.0
40	83.5	112	52.1
50	81.0	137	65.7
65	97.0	153	79.7
80	112.0	177	94.8
100	142.5	180	110.7

NOTE: Dimensions are in mm



Drawing Specification

No.	Part	Material
1	Body	Brass
2	Spring	Stainless Steel 304
3	Disc	Brass
4	Rubber	Nitrile Rubber
5	Stem	Brass
6	Bonnet	ABS (Terpolymer)
7	Mesh	Stainless Steel 304

Brass Foot Valve

Miscellaneous Data:

1. Ordering Information

Example: SD-GFV10-20

- SD-GFV10 is the part number
- (20) Size

2. Contact Information

For further information on any aspect of the SHIELD Valves products please contact below:

MIDDLE EAST & AFRICA	UNITED KINGDOM
Jebel Ali Free Zone, Dubai, UAE P.O Box: 61199 Tel.: +971 4 881 2070 Fax: +971 4 881 2198 Email: shieldme@shielglobal.com	Unit 3, Endeavor Drive, Basildon-Essex, SS3 14WF Tel.: +44 1708 377731 Fax: +44 1708347637 Email: shielduk@shielglobal.com