



# Threaded Elbow 90°

## Model: SDT - 100

SHIELD SDT-100 are most suitable for marine, pumping, commercial, domestic chemical and irrigation applications. allow controlled angular and linear movement of the pipe to assist alignment and installation.



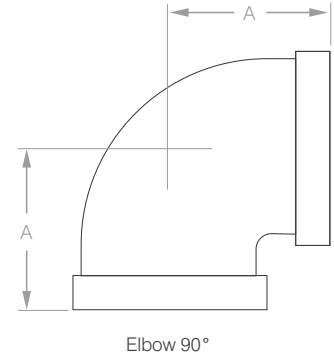
## Product Specifications:

Available Size	1/2" - 3" (D.I.), 1/8" - 6" (M.I.)
Material	Ductile Iron ASTM A536, BS EN 1563, Malleable Iron BS EN 1562
Max. Working Pressure	500psi
Application	Water and HVAC
Coating Finish	Black, Hot Dipped Galvanized
Threads	ANSI B1.20.1, BS 21 & ISO 7/1 (Taper)
Dimensions	ASME B16.3, B16.14 & Unions ASME B16.39 BS EN 10242, BS 143 & 1256
Approvals/Listings	 

# Threaded Elbow 90°

## Product Dimensions:

Ductile Iron			
Nominal Size		A	
Inch	mm	Inch	mm
½	15	1.12	28.5
¾	20	1.31	33.3
1	25	1.50	38.1
1¼	32	1.75	44.5
1½	40	1.94	49.3
2	50	2.25	57.2
2½	65	2.70	68.6
3	80	3.08	78.2



Malleable Iron			
Nominal Size		A	
Inch	mm	Inch	mm
⅙	6	0.75	19.0
¼	8	0.83	21.0
⅜	10	0.98	25.0
½	15	1.10	28.0
¾	20	1.30	33.0
1	25	1.50	38.0
1¼	32	1.77	45.0
1½	40	1.97	50.0
2	50	2.28	58.0
2½	65	2.72	69.0
3	80	3.07	78.0
4	100	3.78	96.0
5	125	4.53	115.0
6	150	5.16	131.0

# Threaded Elbow 90°

## Miscellaneous Data:

### 1. Ordering Information

Example: SDT-100-1-1-2

- SDT-100 is the part number
- (1) Black (2) Hot Dipped Galvanized Coating
- (1) Malleable Iron (2) Ductile Iron
- (2) Size

### 2. Contact Information

For further information on any aspect of the SHIELD Threaded Fittings please contact below:

MIDDLE EAST & AFRICA	UNITED KINGDOM
Jebel Ali Free Zone, Dubai, UAE P.O Box: 61199 Tel.: +971 4 881 2070 Fax: +971 4 881 2198 Email: shieldme@shielglobal.com	Unit 3, Endeavor Drive, Basildon-Essex, SS3 14WF Tel.: +44 1708 377731 Fax: +44 1708347637 Email: shielduk@shielglobal.com