

# U Strap Hanger with Lining

## Model: SD-GE-RUS

- Designed for mount plain or insulated pipes.
- It can be used as a pipe anchor with rubber support insert also.
- Vibration and sound control tested & verified with highly elastic lining.

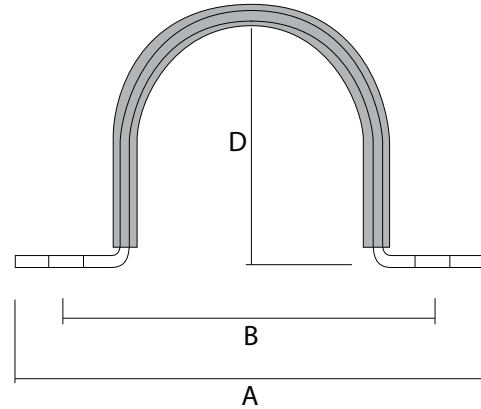


## Product Specifications:

Available Size	1/2" - 10"
Material	Mild Steel & EPDM Rubber
Standards	ASTM B633
Application	Water, HVAC & Fire-Fighting
Coating Finish	Electro-Galvanized as per ASTM B633 Standards
Approvals/Listings	<p>Federal Specification WW-H-171E &amp; A-A-192A            Manufacturers Standardization Society ANSI/MSS SP-69 &amp; SP-58            FM Approved</p> 

# U Strap Hanger with Lining

## Product Dimensions:



Size	Pipe O.D	Dimensions			Bolt Size	Max. Load
		A mm	B mm	Width mm		
Inch	mm				mm	Kg
½	21.3	76	51	20	M8	500
¾	26.7	82	57	20	M8	500
1	33.4	89	64	20	M8	500
1¼	42.2	96	71	20	M8	500
1½	48.3	102	77	20	M8	500
-	54.0	108	83	20	M8	500
2	60.3	114	89	20	M8	500
-	67.0	121	96	25	M8	500
2½	73.0	145	113	25	M8	600
-	82.0	152	120	25	M8	600
3	88.9	160	128	25	M8	600
3½	101.6	170	138	25	M8	600
-	110.0	178	146	25	M8	600
4	114.3	185	153	25	M8	600
-	126.0	196	164	30	M8	600
5	141.3	210	178	30	M10	600
-	148.0	218	186	30	M10	600
-	155.0	225	193	30	M10	600
6	168.3	237	205	30	M10	600
-	179.0	249	217	30	M10	600
-	190.0	260	228	30	M10	800
-	205.0	275	243	30	M10	800
8	219.1	289	257	30	M10	800
-	230.0	300	268	30	M10	800
-	241.0	332	291	30	M12	1250
-	263.0	354	313	30	M12	1250
10	273.0	364	323	30	M18	1250
-	295.0	386	345	40	M18	1250

Note:  
 • Measurements are subject to %5 tolerance.  
 • Other Sizes available on request.  
 • Hot Dipped Galvanized can be supplied upon request.

# U Strap Hanger with Lining

## Miscellaneous Data:

### 1. Ordering Information

Example: SD-GE-RUS-1-4

- SD-GE-RUS is the part number
- (1) Electro-Galvanized Coating
- (4) Size

### 2. Contact Information

For further information on any aspect of the SHIELD Pipe Supports please contact below:

MIDDLE EAST & AFRICA	UNITED KINGDOM
Jebel Ali Free Zone, Dubai, UAE P.O Box: 61199 Tel.: +971 4 881 2070 Fax: +971 4 881 2198 Email: shieldme@shielglobal.com	Unit 3, Endeavor Drive, Basildon-Essex, SS3 14WF Tel.: +44 1708 377731 Fax: +44 1708347637 Email: shielduk@shielglobal.com