



Grooved U-Bolt Mechanical Tee (Threaded)

Model: SDG-40

SHIELD SDG-40 allow a direct branch connection to be made on a pipe run where sufficient space allows a hole to be cut.

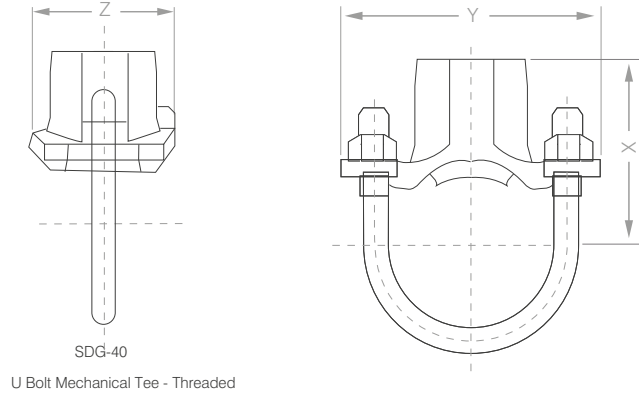


Product Specifications:

Available Size	1 1/2" - 6"
Material	Ductile Iron to ASTM A536 Grade 65-45-12
Max. Working Pressure	300psi
Application	Water, HVAC & Fire-Fighting
Coating Finish	Red Painted, Hot Dipped Galvanized
Bolts & Nuts	Carbon Steel ISO 898-1 Class 8.8 heat treated, Hot Dipped Galvanized Nuts & Bolts
Threads	BSPT, NPT
Gasket	EPDM Rubber C Shaped Gasket conforms to ASTM D2000-1, Grade A
Lubricants	Use silicon based non-petroleum lubricants on the lips and outside back
Approvals/Listings	 

Grooved U-Bolt Mechanical Tee (Threaded)

Product Dimensions:



Nominal Size	Pipe O.D.	Max. Working Pressure	Hole Diameter +1.6,0/+0.063,0	Dimensions			U-Bolt Size
				X mm	Y mm	Z mm	
1¼ x ½	42.4 x 21.3	300	30.0	54.4	88.9	57.2	M10 x 73
1¼ x ¾	42.4 x 26.9	300	30.0	54.4	88.9	57.2	M10 x 73
1¼ x 1	42.4 x 33.7	300	30.0	57.7	88.9	57.2	M10 x 73
1½ x ½	48.3 x 21.3	300	30.0	57.7	88.9	57.2	M10 x 73
1½ x ¾	48.3 x 26.9	300	30.0	57.7	88.9	57.2	M10 x 73
1½ x 1	48.3 x 33.7	300	30.0	60.8	88.9	57.2	M10 x 73
2 x ½	60.3 x 21.3	300	30.0	63.3	95.3	57.2	M10 x 90
2 x ¾	60.3 x 26.9	300	30.0	63.3	95.3	57.2	M10 x 90
2 x 1	60.3 x 33.7	300	30.0	66.6	95.3	57.2	M10 x 90
2 x 1¼	60.3 x 42.4	300	45.0	66.6	120.0	76.0	½ x 52
2½ x ½	73.0 x 21.3	300	30.0	69.9	108.0	57.2	M10 x 105
2½ x ¾	73.0 x 26.9	300	30.0	69.9	108.0	57.2	M10 x 105
2½ x 1	73.0 x 33.7	300	30.0	73.2	108.0	57.2	M10 x 105
3 O.D. x ½	76.1 x 21.3	300	30.0	69.9	108.0	57.2	M10 x 105
3 O.D. x ¾	76.1 x 26.9	300	30.0	69.9	108.0	57.2	M10 x 105
3 O.D. x 1	76.1 x 33.7	300	30.0	73.2	108.0	57.2	M10 x 105
3 x 1	88.9 x 33.7	300	38.0	79.0	145.0	73.0	½ x 58
4 x 1	114.3 x 33.7	300	30.0	89.0	185.0	72.0	½ x 70
4 x 1¼	114.3 x 42.4	300	51.0	95.0	185.0	85.0	½ x 70
4 x 1½	114.3 x 48.3	300	51.0	95.0	185.0	85.0	½ x 70
6 x 1	168.3 x 33.7	300	38.0	124.0	254.0	75.0	⅝ x 102

Grooved Mechanical Cross (Threaded)

Miscellaneous Data:

1. Ordering Information

Example: SDG40-1-1-4

- SDG40 is the part number
- (1) Red Painted Coating (2) Hot Dipped Galvanized Coating
- (1) Carbon Steel bolts & nuts (2) Hot Dipped Galvanized bolts & nuts
- (4) Size

2. Contact Information

For further information on any aspect of the SHIELD Grooved Fittings please contact below:

MIDDLE EAST & AFRICA	UNITED KINGDOM
Jebel Ali Free Zone, Dubai, UAE P.O Box: 61199 Tel.: +971 4 881 2070 Fax: +971 4 881 2198 Email: shieldme@shielglobal.com	Unit 3, Endeavor Drive, Basildon-Essex, SS3 14WF Tel.: +44 1708 377731 Fax: +44 1708347637 Email: shielduk@shielglobal.com