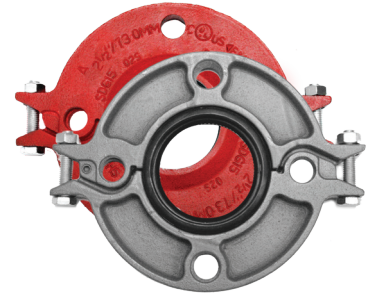





# Grooved Flange

## Model: SDG-15

SHIELD SDG-15 allow controlled angular and linear movement of the pipe to assist alignment and installation. The advantage of flexibility must be considered in the design for hanger and support spacing.

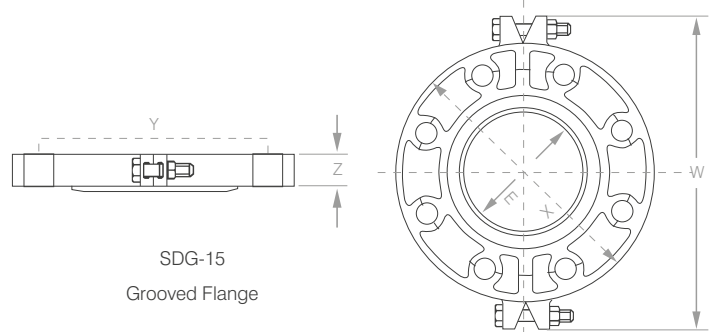


## Product Specifications:

Available Size	1 1/2" - 24"
Material	Ductile Iron to ASTM A536 Grade 65-45-12
Max. Working Pressure	300psi PN16, ANSI 125/150, BS Table 'E' & 365psi PN25
Application	Water, HVAC & Fire-Fighting
Coating Finish	Red Painted, Hot Dipped Galvanized
Bolts & Nuts	Carbon Steel ISO 898-1 Class 8.8 heat treated, Hot Dipped Galvanized Nuts & Bolts
Gasket	EPDM Rubber C Shaped Gasket conforms to ASTM D2000-1, Grade A
Lubricants	Use silicon based non-petroleum lubricants on the lips and outside back
Approvals/Listings	  

# Grooved Flange

## Product Dimensions:



Nominal Size	Pipe O.D.	Max. Working Pressure	Grooved Flange PN16 Dimension						
			W mm	Z mm	X mm	Y mm	E mm	Bolt/Nut No. - Size mm	
Inch	mm	psi							
1½	48.3	300	195.0	18.5	150.0	110.0	45.4	2-M10 x 50	4-M16
2	60.3	300	220.0	18.5	165.0	125.0	57.5	2-M10 x 50	4-M16
3 O.D.	76.1	300	235.0	18.5	185.0	145.0	72.7	2-M10 x 50	4-M16
3	88.9	300	255.0	18.5	195.0	160.0	85.5	2-M10 x 50	8-M16
4¼ O.D.	108.0	300	279.0	18.5	220.0	180.0	104.5	2-M10 x 50	8-M16
4	114.3	300	279.0	18.5	224.0	180.0	110.5	2-M10 x 50	8-M16
5¼ O.D.	133.0	300	312.0	21.5	250.0	210.0	129.2	2-M12 x 65	8-M16
5½ O.D.	139.7	300	320.0	23.0	250.0	210.0	135.5	2-M12 x 65	8-M16
6¼ O.D.	159.0	300	346.0	21.5	280.0	240.0	154.8	2-M12 x 65	8-M20
6½ O.D.	165.1	300	346.0	21.5	280.0	240.0	160.8	2-M12 x 65	8-M20
6	168.3	300	346.0	24.0	280.0	240.0	164.3	2-M12 x 65	8-M20
8	219.1	300	414.3	30.0	340.0	295.0	214.9	2-M10 x 70	12-M20
10	273.0	300	480.0	25.5	405.0	355.0	268.9	2-M10 x 70	12-M24
12	323.9	300	530.5	25.5	460.0	410.0	318.9	2-M10 x 70	12-M24
14	355.6	300	580.0	30.0	520.0	470.0	350.6	-	16-M24
16	406.4	300	630.0	32.0	580.0	525.0	401.5	-	16-M27
18	457.2	300	693.0	36.0	640.0	585.0	452.2	-	20-M27
20	508.0	300	770.0	36.0	715.0	650.0	503.0	-	20-M30
24	609.6	300	895.0	40.0	840.0	770.0	601.6	-	20-M33

# Grooved Flange

## Product Dimensions:

Nominal Size	Pipe O.D.	Max. Working Pressure	Grooved Flange PN25 Dimension						
			W	Z	X	Y	E	Bolt/Nut No. - Size	
Inch	mm	psi	mm	mm	mm	mm	mm	mm	mm
4¼ O.D.	108.0	362	290.0	21.5	230.0	190.0	104.5	2-M10X50	8-M20
6½ O.D.	165.1	362	365.0	21.5	300.0	250.0	160.8	2-M12X65	8-M24

Nominal Size	Pipe O.D.	Max. Working Pressure	Grooved Flange ANSI 125/150 Dimension						
			W	Z	X	Y	E	Bolt/Nut No. - Size	
Inch	mm	psi	mm	mm	mm	mm	mm	mm	mm
2	60.3	300	206.0	19.0	152.0	121.0	57.5	2-M10 x 50	4½
2½	73.0	300	230.0	19.0	178.0	140.0	69.8	2-M10 x 50	4½
3 O.D.	76.1	300	230.0	19.0	178.0	140.0	72.7	2-M10 x 50	4½
3	88.9	300	246.0	19.0	191.0	152.0	85.5	2-M10 x 50	4½
4	114.3	300	280.0	19.0	229.0	191.0	110.5	2-M12 x 55	8½
5	141.3	300	320.0	22.0	254.0	216.0	137.4	2-M12 x 65	8¾
6	168.3	300	346.0	24.0	280.0	241.3	164.3	2-M12 x 65	8¾
8	219.1	300	414.3	30.0	341.4	298.5	214.9	2-M10 x 70	8¾
10	273.0	300	481.2	30.3	405.6	362.0	268.9	2-M10 x 70	12-⅞
12	323.9	300	553.3	30.4	482.6	431.8	318.9	2-M10 x 70	12-⅞
14	355.6	300	590.0	37.0	535.0	476.3	350.6	-	12-1
16	406.4	300	650.0	37.0	595.0	539.8	401.5	-	16-1
18	457.2	300	690.0	40.0	635.0	577.8	452.2	-	16-1½
20	508.0	300	765.0	43.0	700.0	635.0	503.0	-	20-1½
24	609.6	300	875.0	49.0	815.0	749.3	601.6	-	20-1¼

Nominal Size	Pipe O.D.	Max. Working Pressure	Grooved Flange BS Table 'E' Dimension						
			W	Z	X	Y	E	Bolt/Nut No. - Size	
Inch	mm	psi	mm	mm	mm	mm	mm	mm	mm
2	60.3	300	211.0	18.5	150.0	114.0	57.5	2-M10 x 50	4-M16
3	88.9	300	241.0	18.5	185.0	146.0	85.5	2-M10 x 50	4-M16
4	114.3	300	270.0	18.5	216.0	178.0	110.5	2-M10 x 50	8-M16
6½ O.D.	165.1	300	346.0	21.5	280.0	235.0	160.8	2-M12 x 65	8-M20
8	219.1	300	408.0	24.0	335.0	292.0	214.9	2¾ x 70	8-M20
10	273.0	200	480.0	25.5	406.0	356.0	268.9	-	12-¾
12	323.9	200	530.5	25.5	457.0	406.0	318.9	-	12-⅞
14	355.6	200	580.0	32.0	527.0	470.0	350.6	-	12-⅞
16	406.4	200	630.0	32.0	578.0	521.0	401.5	-	12-⅞
18	457.2	200	693.0	36.0	641.0	584.0	452.2	-	16-⅞
20	508.0	200	770.0	38.0	705.0	641.0	503.0	-	16-⅞
24	609.6	200	880.0	42.0	826.0	756.0	601.6	-	16- 1½

# Grooved Flange

## Miscellaneous Data:

### 1. Ordering Information

Example: SDG15-1-2-4

- SDG15 is the part number
- (1) Red Painted Coating (2) Hot Dipped Galvanized Coating
- (1) Electro-Galvanized bolts/nuts (2) Hot Dipped Galvanized bolts/nuts
- (4) Size

### 2. Installation Instruction

Refer to <https://www.naffcoflow.com/wp-content/uploads/2023/04/OM-Manual-v0722-14.pdf>

### 3. Contact Information

For further information on any aspect of the SHIELD Grooved Fittings please contact below:

MIDDLE EAST & AFRICA	UNITED KINGDOM
Jebel Ali Free Zone, Dubai, UAE P.O Box: 61199 Tel.: +971 4 881 2070 Fax: +971 4 881 2198 Email: shieldme@shielglobal.com	Unit 3, Endeavor Drive, Basildon-Essex, SS3 14WF Tel.: +44 1708 377731 Fax: +44 1708347637 Email: shielduk@shielglobal.com