




Grooved Adaptor Flange

Model: SDG-16

SHIELD SDG-16 allow controlled angular and linear movement of the pipe to assist alignment and installation. The advantage of flexibility must be considered in the design for hanger and support spacing.

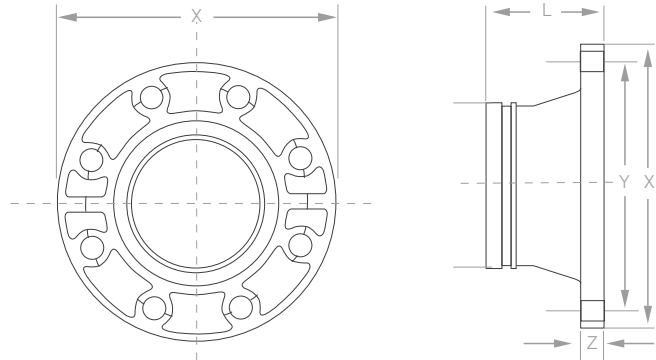


Product Specifications:

Available Size	1" - 24"
Material	Ductile Iron to ASTM A536 Grade 65-45-12
Max. Working Pressure	500psi PN16, 362psi PN25, 300psi ANSI 125/150, 225psi BS Table 'E'
Application	Water, HVAC & Fire-Fighting
Coating Finish	Red Painted, Hot Dipped Galvanized
Bolts & Nuts	Carbon Steel ISO 898-1 Class 8.8 heat treated, Hot Dipped Galvanized Nuts & Bolts
Gasket	EPDM Rubber C Shaped Gasket conforms to ASTM D2000-1, Grade A
Lubricants	Use silicon based non-petroleum lubricants on the lips and outside back
Approvals/Listings	   <p><small>LPS 1219: Issue 3 Cert.LPCB ref. 9852a Issue 1</small></p>

Grooved Adaptor Flange

Product Dimensions:



SDG-16
Adaptor Flange

Nominal Size	Pipe O.D.	Max. Working Pressure	Grooved Flange PN16 Dimension				
			W mm	Z mm	X mm	Y mm	Bolt/Nut No. - Size mm
Inch	mm	psi					
1	33.7	300	60.5	115.0	85.0	16.0	4-M12
1¼	42.4	300	60.5	140.0	100.0	16.0	4-M16
1½	48.3	300	60.5	150.0	110.0	16.0	4-M16
2	60.3	500	65.0	165.0	125.0	16.0	4-M16
3 O.D.	76.1	500	65.0	185.0	145.0	16.0	4-M16
3	88.9	500	65.0	200.0	160.0	16.0	8-M16
4¼ O.D.	108.0	300	70.0	220.0	180.0	16.0	8-M16
4	114.3	300	70.0	220.0	180.0	16.0	8-M16
5¼ O.D.	133.0	300	70.0	250.0	210.0	18.0	8-M16
5½ O.D.	139.7	300	70.0	250.0	210.0	18.0	8-M16
6¼ O.D.	159.0	500	70.0	285.0	240.0	18.0	8-M20
6½ O.D.	165.1	500	70.0	285.0	240.0	18.0	8-M20
6	168.3	500	70.0	285.0	240.0	18.0	8-M20
8	219.1	300	80.0	340.0	295.0	19.0	12-M20
10	273.0	300	85.0	405.0	355.0	21.0	12-M24
12	323.9	225	90.0	460.0	410.0	24.0	12-M24
14	377.0	225	100.0	520.0	470.0	25.0	16-M24
16	426.0	225	110.0	580.0	525.0	27.0	16-M27
18	480.0	225	115.0	640.0	585.0	20.0	20-M27

Grooved Adaptor Flange

Product Dimensions:

Nominal Size	Pipe O.D.	Max. Working Pressure	Adaptor Flange PN25 Dimension				
			W mm	Z mm	X mm	Y mm	Bolt/Nut No. - Size mm
Inch	mm	psi					
4¼ O.D.	108.0	362	70.0	230.0	190.0	18.0	8-M20
4	114.3	362	70.0	235.0	190.0	16.0	8-M20
6¼ O.D.	159.0	362	70.0	300.0	250.0	20.0	8-M24
6½ O.D.	165.1	362	70.0	300.0	250.0	18.0	8-M24
8	219.1	362	80.0	360.0	310.0	19.0	12-M24
10	273.0	362	85.0	425.0	370.0	22.0	12-M27
12	323.9	362	88.0	485.0	430.0	23.5	16-M27
14	355.6	362	100.0	555.0	490.0	26.0	16-M30
16	406.4	362	110.0	620.0	550.0	28.0	16-M33

Nominal Size	Pipe O.D.	Max. Working Pressure	Adaptor Flange ANSI 125/150 Dimension				
			L mm	X mm	Y mm	Z mm	Bolt/Nut No. - Size mm
Inch	mm	psi					
2	60.3	300	65.0	152.0	120.5	16.0	4-5/8
2½	73.0	300	65.0	185.0	139.7	16.0	4-5/8
3	88.9	300	65.0	200.0	152.4	16.0	8-5/8
4	114.3	300	70.0	229.0	190.5	16.0	8-5/8
6	168.3	300	70.0	282.0	241.3	18.0	8-3/4
8	219.1	300	75.0	340.0	298.5	19.0	8-3/4
10	273.0	300	85.0	406.0	362.0	21.0	12-7/8
14	355.6	300	127.0	535.0	476.3	37.0	12-1
16	406.4	300	127.0	595.0	539.8	37.0	16-1
18	457.2	300	140.0	642.0	577.8	40.0	16-11/8
20	508.0	300	152.0	700.0	635.0	43.0	20-11/8
24	609.6	300	152.0	815.0	749.3	49.0	20-1¼

Grooved Adaptor Flange

Product Dimensions:

Nominal Size	Pipe O.D.	Max. Working Pressure	Adaptor Flange BS Table E Dimension				
			L mm	X mm	Y mm	Z mm	Bolt/Nut No. - Size mm
Inch	mm	psi					
2	60.3	225	65.0	152.0	114.0	16.0	4-M16
3 O.D.	75.1	225	70.0	165.0	127.0	16.0	4-M16
3	88.9	225	70.0	184.0	146.0	16.0	4-M16
4	114.3	225	70.0	216.0	178.0	16.0	8-M16
6 O.D.	165.1	225	70.0	280.0	235.0	21.0	8-M20
8	219.1	225	102.0	337.0	292.0	19.0	8-M20
10	273.0	225	85.0	405.0	356.0	25.0	12-M20
12	323.9	200	102.0	457.0	406.0	25.5	12- $\frac{7}{8}$
14	355.6	200	127.0	527.0	470.0	32.0	12- $\frac{7}{8}$
16	406.4	200	127.0	578.0	521.0	32.0	12- $\frac{7}{8}$
18	457.2	200	140.0	641.0	584.0	36.0	12- $\frac{7}{8}$

Grooved Adaptor Flange

Miscellaneous Data:

1. Ordering Information

Example: SDG16-1-2-4

- SDG16 is the part number
- (1) Red Painted Coating (2) Hot Dipped Galvanized Coating
- (1) Carbon Steel bolts & nuts (2) Hot Dipped Galvanized bolts & nuts
- (4) Size

2. Contact Information

For further information on any aspect of the SHIELD Grooved Fittings please contact below:

MIDDLE EAST & AFRICA	UNITED KINGDOM
Jebel Ali Free Zone, Dubai, UAE P.O Box: 61199 Tel.: +971 4 881 2070 Fax: +971 4 881 2198 Email: shieldme@shielglobal.com	Unit 3, Endeavor Drive, Basildon-Essex, SS3 14WF Tel.: +44 1708 377731 Fax: +44 1708347637 Email: shielduk@shielglobal.com