

Flanges Weld Neck Flange

Model: SD-WF-RF150

A Welded flange is bored to match the inside diameter of the mating pipe or fitting to ensure uninterrupted flow. This prevents turbulence at the joint and reduces erosion. It also provides excellent stress distribution through the tapered hub and is easily radiographed for flaw detection. It is welded to a pipe or fitting with a single full penetration.

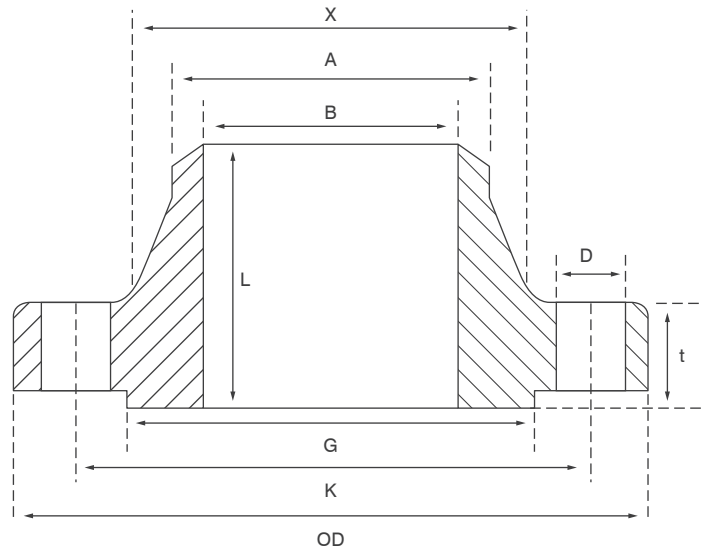


Product Specifications:

Available Size	1/2" - 24"
Material	ASTM A105, Carbon Steel
Dimension Standard	ASME B16.5, Class 150/300, BS 4504, BS EN 1092-1 (PN10, PN16, PN25)
Application	HVAC & Chilled Water
Coating Finish	Black
Face Type	Raised Face, Flat Face, Ring Type Joint Face

Flanges Weld Neck Flange

Product Dimensions:



SD-WF-RF150, SD-WF-RF300

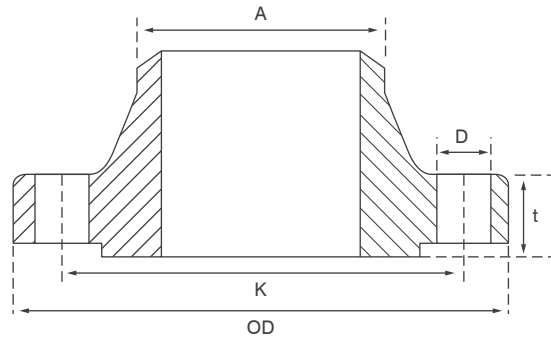
Nominal Pipe Size	Outer Diameter	Thickness (Min)	Raised Face	Dia. of Hub	Bore	OD of Weld Neck	Length thru Hub	No. of Holes	PCD	Dia. of Bolt holes	Suitable bolt dia.
DN Inch	OD mm	t mm	G mm	X mm	B mm	A mm	L mm		K mm	D Inch	Inch
1/2	90	11.2	34.9	30	15.8	21.3	46	4	60.3	5/8	1/2
3/4	100	12.7	42.9	38	20.9	26.7	51	4	69.9	5/8	1/2
1	110	14.3	50.8	49	26.6	33.4	54	4	79.4	5/8	1/2
1 1/4	115	15.9	63.5	59	35.1	42.2	56	4	88.9	5/8	1/2
1 1/2	125	17.5	73.0	65	40.9	48.3	60	4	98.4	5/8	1/2
2	150	19.1	92.1	78	52.5	60.3	62	4	120.7	3/4	5/8
2 1/2	180	22.3	104.8	90	62.7	73.0	68	4	139.7	3/4	5/8
3	190	23.9	127.0	108	77.9	88.9	68	4	152.4	3/4	5/8
3 1/2	215	23.9	139.7	122	90.1	101.6	70	8	177.8	3/4	5/8
4	230	23.9	157.2	135	102.3	114.3	75	8	190.5	3/4	5/8
5	255	23.9	185.7	164	128.2	141.3	87	8	215.9	7/8	3/4
6	280	25.4	215.9	192	154.1	168.3	87	8	241.3	7/8	3/4
8	345	28.6	269.9	246	202.7	219.1	100	8	298.5	7/8	3/4
10	405	30.2	323.8	305	254.6	273.0	100	12	362.0	1	7/8
12	485	31.8	381.0	365	304.8	323.8	113	12	431.8	1	7/8
14	535	35.0	412.8	400	-	355.6	125	12	476.3	1 1/8	1
16	595	36.6	469.9	457	-	406.4	125	16	539.8	1 1/8	1
18	635	39.7	533.4	505	-	457.0	138	16	577.9	1 1/4	1 1/8
20	700	42.9	584.2	559	-	508.0	143	20	635.0	1 1/4	1 1/8
24	815	47.7	692.2	663	-	610.0	151	20	749.3	1 3/8	1 1/4

Flanges Weld Neck Flange

Product Dimensions:

SD-WF-RF10

Nominal Size		Outer Dia. OD mm	PCD K mm	Thickness t mm	OD of Weld Neck A mm	No. of Holes	Hole Dia. D mm	Suitable Thread
Inch	mm							
1/2	15	95	65	16	21.30	4	14	M12
3/4	20	105	75	18	26.90	4	14	M12
1	25	115	85	18	33.70	4	14	M12
1 1/4	32	140	100	18	42.40	4	18	M16
1 1/2	40	150	110	18	48.30	4	18	M16
2	50	165	125	18	60.30	4	18	M16
2 1/2	65	185	145	18	76.10	4	18	M16
3	80	200	160	20	88.90	8	18	M16
4	100	220	180	20	114.30	8	18	M16
5	125	250	210	22	139.70	8	18	M16
6	150	285	240	22	168.30	8	22	M20
8	200	340	295	24	219.10	8	22	M20
10	250	395	350	26	273.00	12	22	M20
12	300	445	400	26	323.90	12	22	M20
14	350	505	460	26	355.60	16	22	M20
16	400	565	515	26	406.40	16	26	M24
18	450	615	565	28	457.00	20	26	M24
20	500	670	620	28	508.00	20	26	M24
24	600	780	725	30	610.00	20	30	M27



SD-SOF-RF16

Nominal Size		Outer Dia. OD mm	PCD K mm	Thickness t mm	OD of Weld Neck A mm	No. of Holes	Hole Dia. D mm	Suitable Thread
Inch	mm							
1/2	15	95	65	16	21.3	4	14	M12
3/4	20	105	75	18	26.9	4	14	M12
1	25	115	85	18	33.7	4	14	M12
1 1/4	32	140	100	18	42.4	4	18	M16
1 1/2	40	150	110	18	48.3	4	18	M16
2	50	165	125	18	60.3	4	18	M16
2 1/2	65	185	145	18	76.1	4	18	M16
3	80	200	160	20	88.9	8	18	M16
4	100	220	180	20	114.3	8	18	M16
5	125	250	210	22	139.7	8	18	M16
6	150	285	240	22	168.3	8	22	M20
8	200	340	295	24	219.1	12	22	M20
10	250	405	355	26	273.0	12	26	M24
12	300	460	410	28	323.9	12	26	M24
14	350	520	470	30	355.6	16	26	M24
16	400	580	525	32	406.4	16	30	M27
18	450	640	585	34	457.0	20	30	M27
20	500	715	650	36	508.0	20	33	M30
24	600	840	770	40	610.0	20	36	M33

SD-SOF-RF25

Nominal Size		Outer Dia. OD mm	PCD K mm	Thickness t mm	OD of Weld Neck A mm	No. of Holes	Hole Dia. D mm	Suitable Thread
Inch	mm							
1/2	15	95	65	16	21.30	4	14	M12
3/4	20	105	75	18	26.90	4	14	M12
1	25	115	85	18	33.70	4	14	M12
1 1/4	32	140	100	18	42.40	4	18	M16
1 1/2	40	150	110	18	48.30	4	18	M16
2	50	165	125	20	60.30	4	18	M16
2 1/2	65	185	145	22	76.10	8	18	M16
3	80	200	160	24	88.90	8	18	M16
4	100	235	190	24	114.30	8	22	M20
5	125	270	220	26	139.70	8	26	M24
6	150	300	250	28	168.30	8	26	M24
8	200	360	310	30	219.10	12	26	M24
10	250	425	370	32	273.00	12	30	M27
12	300	485	430	34	323.90	16	30	M27
14	350	555	490	38	355.60	16	33	M30
16	400	620	550	40	406.40	16	36	M33
18	450	670	600	46	457.00	20	36	M33
20	500	730	660	48	508.00	20	36	M33
24	600	845	770	48	610.00	20	39	M36

Flanges Weld Neck Flange

Miscellaneous Data:

1. Ordering Information

Example: SD-WF-RF-1-1-3

- SD-WF-RF is the part number
- (1) Black
- (1) Class 150 (2) Class 300 (3) PN10 (4) PN16 (5) PN25
- (3) Size

2. Contact Information

For further information on any aspect of the SHIELD Butt-Welded Fittings please contact below:

MIDDLE EAST & AFRICA	UNITED KINGDOM
Jebel Ali Free Zone, Dubai, UAE P.O Box: 61199 Tel.: +971 4 881 2070 Fax: +971 4 881 2198 Email: shieldme@shielglobal.com	Unit 3, Endeavor Drive, Basildon-Essex, SS3 14WF Tel.: +44 1708 377731 Fax: +44 1708347637 Email: shielduk@shielglobal.com