

Flanges Slip - On Flange

Model: SD-SOF-RF

A Slip-On Flange is slightly larger than the outer diameter of the pipe it is to be used with. The pipe is slipped into the Flange prior to welding both inside and outside. It is easy to install and weld, therefore significantly reduce fabrication cost.

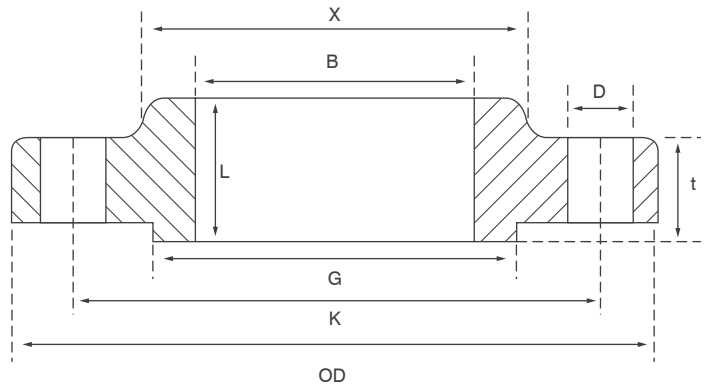


Product Specifications:

Available Size	1/2" - 24"
Material	ASTM A105, Carbon Steel
Dimension Standard	ASME B16.5, Class 150/300, BS 4504, BS EN 1092-1 (PN10, PN16, PN25)
Application	HVAC & Chilled Water
Coating Finish	Black
Face Type	Raised Face, Flat Face, Ring Type Joint Face

Flanges Slip - On Flange

Product Dimensions:



SD-SOF-RF150, SD-SOF-RF300

Nominal Pipe Size DN Inch	Outer Diameter OD mm	Thickness (Min) t mm	Raised Face G mm	Dia. of Hub X mm	Bore B mm	Length thru Hub L mm	No. of Holes	PCD K mm	Dia. of Bolt holes D Inch	Suitable bolt dia. Inch
1/2	90	11.2	34.9	30	22.2	14	4	60.3	5/8	1/2
3/4	100	12.7	42.9	38	27.7	14	4	69.9	5/8	1/2
1	110	14.3	50.8	49	34.5	16	4	79.4	5/8	1/2
1 1/4	115	15.9	63.5	59	43.2	19	4	88.9	5/8	1/2
1 1/2	125	17.5	73.0	65	49.5	21	4	98.4	5/8	1/2
2	150	19.1	92.1	78	61.9	24	4	120.7	3/4	5/8
2 1/2	180	22.3	104.8	90	74.6	27	4	139.7	3/4	5/8
3	190	23.9	127.0	108	90.7	29	4	152.4	3/4	5/8
3 1/2	215	23.9	139.7	122	103.4	30	8	177.8	3/4	5/8
4	230	23.9	157.2	135	116.1	32	8	190.5	3/4	5/8
5	255	23.9	185.7	164	143.8	35	8	215.9	7/8	3/4
6	280	25.4	215.9	192	170.7	38	8	241.3	7/8	3/4
8	345	28.6	269.9	246	221.5	43	8	298.5	7/8	3/4
10	405	30.2	323.8	305	276.2	48	12	362.0	1	7/8
12	485	31.8	381.0	365	327.0	54	12	431.8	1	7/8
14	535	35.0	412.8	400	359.2	56	12	476.3	1 1/8	1
16	595	36.6	469.9	457	410.5	62	16	539.8	1 1/8	1
18	635	39.7	533.4	505	461.8	67	16	577.9	1 1/4	1 1/8
20	700	42.9	584.2	559	513.1	71	20	635.0	1 1/4	1 1/8
24	815	47.7	692.2	663	616.0	81	20	749.3	1 3/8	1 1/4

Flanges Slip - On Flange

Product Dimensions:

SD-SOF-RF10

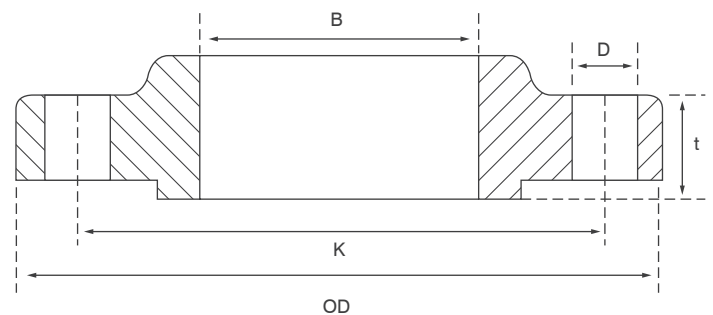
Nominal Size		Outer Dia. OD mm	PCD K mm	Thickness t mm	Bore B mm	No. of Holes mm	Hole Dia. D mm	Suitable Thread mm
Inch	mm							
1/2	15	95	65	16	22.0	4	14	M12
3/4	20	105	75	16	27.5	4	14	M12
1	25	115	85	18	34.5	4	14	M12
1 1/4	32	140	100	18	43.5	4	18	M16
1 1/2	40	150	110	18	49.5	4	18	M16
2	50	165	125	18	61.5	4	18	M16
2 1/2	65	185	145	18	77.5	4	18	M16
3	80	200	160	20	90.5	8	18	M16
4	100	220	180	20	116.0	8	18	M16
5	125	250	210	22	141.5	8	18	M16
6	150	285	240	22	170.5	8	22	M20
8	200	340	295	24	221.5	8	22	M20
10	250	395	350	26	276.5	12	22	M20
12	300	445	400	26	327.5	12	22	M20
14	350	505	460	26	359.5	16	22	M20
16	400	565	515	26	411.0	16	26	M24
18	450	615	565	28	462.0	20	26	M24
20	500	670	620	28	513.5	20	26	M24
24	600	780	725	30	616.5	20	30	M27

SD-SOF-RF25

Nominal Size		Outer Dia. OD mm	PCD K mm	Thickness t mm	Bore B mm	No. of Holes mm	Hole Dia. D mm	Suitable Thread mm
Inch	mm							
1/2	15	95	65	16	22.00	4	14	M12
3/4	20	105	75	18	27.50	4	14	M12
1	25	115	85	18	34.50	4	14	M12
1 1/4	32	140	100	18	43.50	4	18	M16
1 1/2	40	150	110	18	49.50	4	18	M16
2	50	165	125	20	61.50	4	18	M16
2 1/2	65	185	145	22	77.50	8	18	M16
3	80	200	160	24	90.50	8	18	M16
4	100	235	190	24	116.00	8	22	M20
5	125	270	220	26	141.50	8	26	M24
6	150	300	250	28	170.50	8	26	M24
8	200	360	310	30	221.50	12	26	M24
10	250	425	370	32	276.50	12	30	M27
12	300	485	430	34	327.50	16	30	M27
14	350	555	490	38	359.50	16	33	M30
16	400	620	550	40	411.00	16	36	M33
18	450	670	600	48	462.00	20	36	M33
20	500	730	660	48	513.50	20	36	M33
24	600	845	770	48	616.50	20	39	M36

SD-SOF-RF16

Nominal Size		Outer Dia. OD mm	PCD K mm	Thickness t mm	Bore B mm	No. of Holes mm	Hole Dia. D mm	Suitable Thread mm
Inch	mm							
1/2	15	95	65	16	22.00	4	14	M12
3/4	20	105	75	18	27.50	4	14	M12
1	25	115	85	18	34.50	4	14	M12
1 1/4	32	140	100	18	43.50	4	18	M16
1 1/2	40	150	110	18	49.50	4	18	M16
2	50	165	125	18	61.50	4	18	M16
2 1/2	65	185	145	18	77.50	4	18	M16
3	80	200	160	20	90.50	8	18	M16
4	100	220	180	20	116.00	8	18	M16
5	125	250	210	22	141.50	8	18	M16
6	150	285	240	22	170.50	8	22	M20
8	200	340	295	24	221.50	12	22	M20
10	250	405	355	26	276.50	12	26	M24
12	300	460	410	28	327.50	12	26	M24
14	350	520	470	30	359.00	16	26	M24
16	400	580	525	32	411.00	16	30	M27
18	450	640	585	34	462.00	20	30	M27
20	500	715	650	36	513.50	20	33	M30
24	600	840	770	40	616.50	20	36	M33



Flanges Slip - On Flange

Miscellaneous Data:

1. Ordering Information

Example: SD-SOF-RF-1-1-3

- SD-SOF-RF is the part number
- (1) Black
- (1) Class 150 (2) Class 300 (3) PN10 (4) PN16 (5) PN25
- (3) Size

2. Contact Information

For further information on any aspect of the SHIELD Butt-Welded Fittings please contact below:

MIDDLE EAST & AFRICA	UNITED KINGDOM
Jebel Ali Free Zone, Dubai, UAE P.O Box: 61199 Tel.: +971 4 881 2070 Fax: +971 4 881 2198 Email: shieldme@shielglobal.com	Unit 3, Endeavor Drive, Basildon-Essex, SS3 14WF Tel.: +44 1708 377731 Fax: +44 1708347637 Email: shielduk@shielglobal.com