

Butt-Welded Elbow 90°

Model: SD-BSRE 90 Short Radius

A short radius elbow gives a sharpen turn to the piping system as compared to long radius elbow. Short radius elbow is less in space consumption than long radius elbow, cost effective and high efficiency.



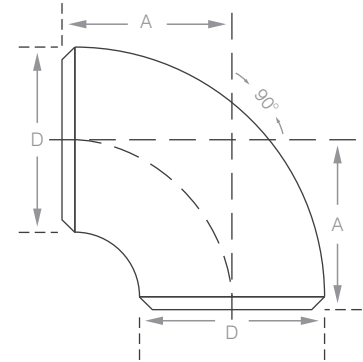
Product Specifications:

Available Size	1/2" - 48"
Material	ASTM A234 Grade WPB
Dimension Standard	ASME B16.9 & B16.28
Application	HVAC & Chilled Water
Coating Finish	Black
End Type	Beveled End, Raised Face

Butt-Welded Elbow 90°

Product Dimensions:

Nominal Pipe Size	Outside Diameter D mm	Centre to End
		A mm
Inch		
1	33.4	25
1¼	42.2	32
1½	48.3	38
2	60.3	51
2½	73.0	64
3	88.9	76
3½	101.6	89
4	114.3	102
5	141.3	127
6	168.3	152
8	219.1	203
10	273.0	254
12	323.8	305
14	355.6	356
16	406.4	406
18	457.0	457
20	508.0	508
22	559.0	559
24	610.0	610



Butt-Welded Elbow 90°

Miscellaneous Data:

1. Ordering Information

Example: SD-BSRE90-1-3

- SD-BSRE90 is the part number
- (1) Black
- (3) Size

2. Contact Information

For further information on any aspect of the SHIELD Butt-Welded Fittings please contact below:

MIDDLE EAST & AFRICA	UNITED KINGDOM
Jebel Ali Free Zone, Dubai, UAE P.O Box: 61199 Tel.: +971 4 881 2070 Fax: +971 4 881 2198 Email: shieldme@shielglobal.com	Unit 3, Endeavor Drive, Basildon-Essex, SS3 14WF Tel.: +44 1708 377731 Fax: +44 1708347637 Email: shielduk@shielglobal.com