

# Butt-Welded Bend 180°

## Model: SD-BSRB Short Radius

The function of a 180° return bend is to change direction of flow through 180°. The short radius type has a centre to centre dimension double the matching 90° short radius elbow. The short radius bend is less in cost and space consumption than long radius bend. The primary application for this fitting is in heater coils, heat exchangers and boilers etc.

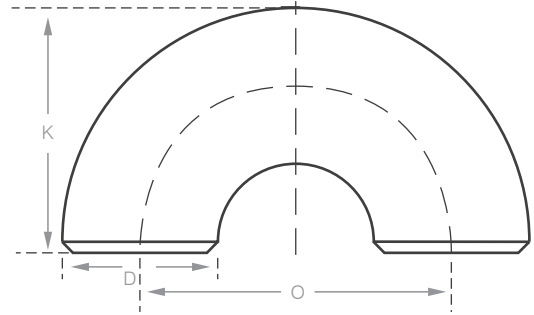


## Product Specifications:

Available Size	1" - 24"
Material	ASTM A234 Grade WPB
Dimension Standard	ASME B16.9
Application	HVAC & Chilled Water
Coating Finish	Black
End Type	Beveled End, Raised Face

# Butt-Welded Bend 180°

## Product Dimensions:



Nominal Pipe Size	Outside Diameter D mm	Centre to Centre O mm	Back to Face K mm
Inch			
1	33.4	51	41
1¼	42.2	64	52
1½	48.3	76	62
2	60.3	102	81
2½	73.0	127	100
3	88.9	152	121
3½	101.6	178	140
4	114.3	203	159
5	141.3	254	197
6	168.3	305	237
8	219.1	406	313
10	273.0	508	391
12	323.8	610	467
14	355.6	711	533
16	406.4	813	610
18	457.0	914	686
20	508.0	1016	762
22	559.0	1118	838
24	610.0	1219	914

# Butt-Welded Bend 180°

## Miscellaneous Data:

### 1. Ordering Information

Example: SD-BSRB-1-3

- SD-BSRB is the part number
- (1) Black
- (3) Size

### 2. Contact Information

For further information on any aspect of the SHIELD Butt-Welded Fittings please contact below:

MIDDLE EAST & AFRICA	UNITED KINGDOM
Jebel Ali Free Zone, Dubai, UAE P.O Box: 61199 Tel.: +971 4 881 2070 Fax: +971 4 881 2198 Email: shieldme@shielglobal.com	Unit 3, Endeavor Drive, Basildon-Essex, SS3 14WF Tel.: +44 1708 377731 Fax: +44 1708347637 Email: shielduk@shielglobal.com