

Butt-Welded Reducing Elbow 90°

Model: SD-BRE 90

90° Reducing elbow is to change direction or flow in a piping system from one size to another size. The Reducing Elbows have got different size openings on both the end and hence can fit into two different pipes of varying end openings.



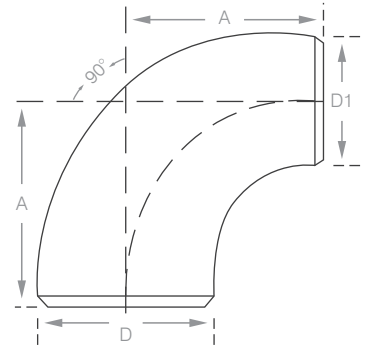
Product Specifications:

Available Size	2" - 24"
Material	ASTM A234 Grade WPB
Dimension Standard	ASME B16.9 & B16.28
Application	HVAC & Chilled Water
Coating Finish	Black
End Type	Beveled End, Raised Face

Butt-Welded Reducing Elbow 90°

Product Dimensions:

Nominal Pipe Size Inch	Outside Diameter		Centre to End
	D mm	D1 mm	A mm
2 x 1	60.3	33.4	76
2 x 1¼	60.3	42.2	76
2 x 1½	60.3	48.3	76
2½ x 1¼	73.0	42.2	95
2½ x 1½	73.0	48.3	95
2½ x 2	73.0	60.3	95
3 x 1½	88.9	48.3	114
3 x 2	88.9	60.3	114
3 x 2½	88.9	73.0	114
3½ x 2	101.6	60.3	133
3½ x 2½	101.6	73.0	133
3½ x 3	101.6	88.9	133
4 x 2	114.3	60.3	152
4 x 2½	114.3	73.0	152
4 x 3	114.3	88.9	152
4 x 3½	114.3	101.6	152
5 x 2½	141.3	73.0	190
5 x 3	141.3	88.9	190
5 x 3½	141.3	101.6	190
5 x 4	141.3	114.3	190
6 x 3	168.3	88.9	229
6 x 3½	168.3	101.6	229
6 x 4	168.3	114.3	229
6 x 5	168.3	141.3	229
8 x 4	219.1	114.3	305
8 x 5	219.1	141.3	305
8 x 6	219.1	168.3	305
10 x 5	273.0	141.3	381
10 x 6	273.0	168.3	381
10 x 8	273.0	219.1	381
12 x 6	323.8	168.3	457



Butt-Welded Reducing Elbow 90°

Product Dimensions:

Nominal Pipe Size Inch	Outside Diameter		Centre to End
	D mm	D1 mm	A mm
12 x 8	323.8	219.1	457
12 x 10	323.8	273.0	457
14 x 8	355.6	219.1	533
14 x 10	355.6	273.0	533
14 x 12	355.6	323.8	533
16 x 10	406.4	273.0	610
16 x 12	406.4	323.8	610
16 x 14	406.4	355.6	610
18 x 10	457.0	273.0	686
18 x 12	457.0	323.8	686
18 x 14	457.0	355.6	686
18 x 16	457.0	406.4	686
20 x 10	508.0	273.0	762
20 x 12	508.0	323.8	762
20 x 14	508.0	355.6	762
20 x 16	508.0	406.4	762
20 x 18	508.0	457.0	762
24 x 12	610.0	323.8	914
24 x 14	610.0	355.6	914
24 x 16	610.0	406.4	914
24 x 18	610.0	457.0	914
24 x 20	610.0	508.0	914
24 x 22	610.0	559.0	914

Butt-Welded Reducing Elbow 90°

Miscellaneous Data:

1. Ordering Information

Example: SD-BRE90-1-3

- SD-BRE90 is the part number
- (1) Black
- (3) Size

2. Contact Information

For further information on any aspect of the SHIELD Butt-Welded Fittings please contact below:

MIDDLE EAST & AFRICA	UNITED KINGDOM
Jebel Ali Free Zone, Dubai, UAE P.O Box: 61199 Tel.: +971 4 881 2070 Fax: +971 4 881 2198 Email: shieldme@shielglobal.com	Unit 3, Endeavor Drive, Basildon-Essex, SS3 14WF Tel.: +44 1708 377731 Fax: +44 1708347637 Email: shielduk@shielglobal.com