

Butt-Welded Elbow 90°

Model: SD-BLRE 90

The function of the elbow is to change direction or flow in a piping system. Elbows are split as follows, the distance over which they change direction; the centre line of one end to the opposite face, this is known as the "centre to face" distance and is equivalent to the radius through which the elbow is bent.



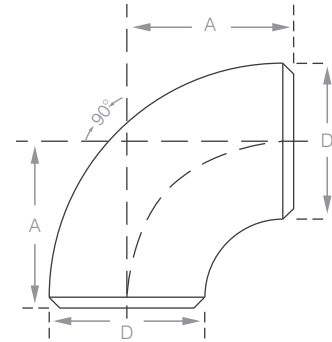
Product Specifications:

Available Size	1/2" - 48"
Material	ASTM A234 Grade WPB
Dimension Standard	ASME B16.9
Application	HVAC & Chilled Water
Coating Finish	Black
End Type	Beveled End, Raised Face

Butt-Welded Elbow 90°

Product Dimensions:

Nominal Pipe Size	Outside Diameter D mm	Centre to End
		A mm
Inch		
1/2	21.3	38
3/4	26.7	38
1	33.4	38
1 1/4	42.2	48
1 1/2	48.3	57
2	60.3	76
2 1/2	73.0	95
3	88.9	114
3 1/2	101.6	133
4	114.3	152
5	141.3	190
6	168.3	229
8	219.1	305
10	273.0	381
12	323.8	457
14	355.6	533
16	406.4	610
18	457.0	686
20	508.0	762
22	559.0	838
24	610.0	914
26	660.0	991
28	711.0	1067
30	762.0	1143
32	813.0	1219
34	864.0	1295
36	914.0	1372
38	965.0	1448
40	1016.0	1524
42	1067.0	1600
44	1118.0	1676
46	1168.0	1753
48	1219.0	1829



Butt-Welded Elbow 90°

Miscellaneous Data:

1. Ordering Information

Example: SD-BLRE90-1-3

- SD-BLRE90 is the part number
- (1) Black
- (3) Size

2. Contact Information

For further information on any aspect of the SHIELD Butt-Welded Fittings please contact below:

MIDDLE EAST & AFRICA	UNITED KINGDOM
Jebel Ali Free Zone, Dubai, UAE P.O Box: 61199 Tel.: +971 4 881 2070 Fax: +971 4 881 2198 Email: shieldme@shielglobal.com	Unit 3, Endeavor Drive, Basildon-Essex, SS3 14WF Tel.: +44 1708 377731 Fax: +44 1708347637 Email: shielduk@shielglobal.com