

# Butt-Welded Bend 180°

## Model: SD-BLRB 180 Long Radius

The function of a 180° return bend is to change direction of flow through 180°. The long radius type has a centre to centre dimension double the matching 90° long radius elbow. The primary application for this fitting is in heater coils, heat exchangers and boilers etc.

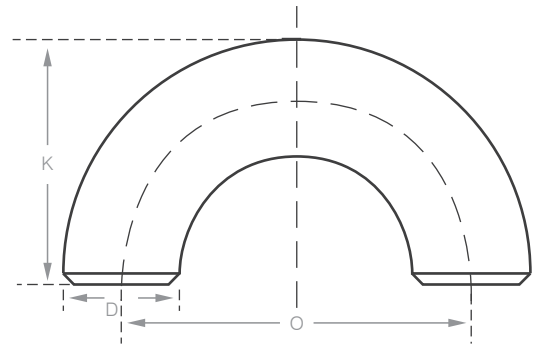


## Product Specifications:

Available Size	1/2" - 24"
Material	ASTM A234 Grade WPB
Dimension Standard	ASME B16.9
Application	HVAC & Chilled Water
Coating Finish	Black
End Type	Beveled End, Raised Face

# Butt-Welded Bend 180°

## Product Dimensions:



Nominal Pipe Size	Outside Diameter D mm	Centre to Centre O mm	Back to Face K mm
Inch			
1/2	21.3	76	48
3/4	26.7	76	51
1	33.4	76	56
1 1/4	42.2	95	70
1 1/2	48.3	114	83
2	60.3	152	106
2 1/2	73.0	190	132
3	88.9	229	159
4	114.3	305	210
5	141.3	381	262
6	168.3	457	313
8	219.1	610	414
10	273.0	762	518
12	323.8	914	619
14	355.6	1067	711
16	406.4	1219	813
18	457.0	1372	914
20	508.0	1524	1016
22	559.0	1676	1118
24	610.0	1829	1219

# Butt-Welded Bend 180°

## Miscellaneous Data:

### 1. Ordering Information

Example: SD-BLRB180-1-3

- SD-BLRB180 is the part number
- (1) Black
- (3) Size

### 2. Contact Information

For further information on any aspect of the SHIELD Butt-Welded Fittings please contact below:

MIDDLE EAST & AFRICA	UNITED KINGDOM
Jebel Ali Free Zone, Dubai, UAE P.O Box: 61199 Tel.: +971 4 881 2070 Fax: +971 4 881 2198 Email: shieldme@shielglobal.com	Unit 3, Endeavor Drive, Basildon-Essex, SS3 14WF Tel.: +44 1708 377731 Fax: +44 1708347637 Email: shielduk@shielglobal.com