

Butt-Welded Equal Tee

Model: SD-BET

The function of a tee is to permit flow at 90° to the main direction of flow. The main flow passes through the 'run' while the 90° outlet is known as the 'branch'. The equal tee is manufactured with all three outlets being the same size.



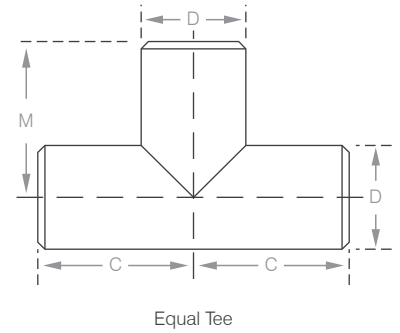
Product Specifications:

Available Size	1/2" - 48"
Material	ASTM A234 Grade WPB
Dimension Standard	ASME B16.9
Application	HVAC & Chilled Water
Coating Finish	Black
End Type	Beveled End, Raised Face

Butt-Welded Equal Tee

Product Dimensions:

Nominal Pipe Size Inch	Outside Diameter D mm	Centre to End	
		C mm	M mm
1/2	21.3	25	25
3/4	26.7	29	29
1	33.4	38	38
1 1/4	42.2	48	48
1 1/2	48.3	57	57
2	60.3	64	64
2 1/2	73.0	76	76
3	88.9	86	86
3 1/2	101.6	95	95
4	114.3	105	105
5	141.3	124	124
6	168.3	143	143
8	219.1	178	178
10	273.0	216	216
12	323.8	254	254
14	355.6	279	279
16	406.4	305	305
18	457.0	343	343
20	508.0	381	381
22	559.0	419	419
24	610.0	432	432
26	660.0	495	495
28	711.0	521	521
30	762.0	559	559
32	813.0	597	597
34	864.0	635	635
36	914.0	673	673
38	965.0	711	711
40	1016.0	749	749
42	1067.0	762	711
44	1118.0	813	762
46	1168.0	851	800
48	1219.0	889	838



Butt-Welded Equal Tee

Miscellaneous Data:

1. Ordering Information

Example: SD-BET-1-3

- SD-BET is the part number
- (1) Black
- (3) Size

2. Contact Information

For further information on any aspect of the SHIELD Butt-Welded Fittings please contact below:

MIDDLE EAST & AFRICA	UNITED KINGDOM
Jebel Ali Free Zone, Dubai, UAE P.O Box: 61199 Tel.: +971 4 881 2070 Fax: +971 4 881 2198 Email: shieldme@shielglobal.com	Unit 3, Endeavor Drive, Basildon-Essex, SS3 14WF Tel.: +44 1708 377731 Fax: +44 1708347637 Email: shielduk@shielglobal.com