

# Butt-Welded End Cap

## Model: SD-BCP

The function of an end cap is to block off the end of a line in piping systems. This is achieved by placing the end cap over the open line and welding around the joint.



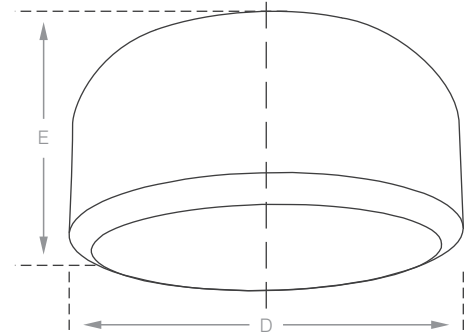
## Product Specifications:

Available Size	1/2" - 48"
Material	ASTM A234 Grade WPB
Dimension Standard	ASME B16.9
Application	HVAC & Chilled Water
Coating Finish	Black
End Type	Beveled End, Raised Face

# Butt-Welded End Cap

## Product Dimensions:

Nominal Pipe Size	Outside Diameter D mm	Length	
		Inch	E mm
1/2	21.3		25
3/4	26.7		25
1	33.4		38
1 1/4	42.2		38
1 1/2	48.3		38
2	60.3		38
2 1/2	73.0		38
3	88.9		51
3 1/2	101.6		64
4	114.3		64
5	141.3		76
6	168.3		89
8	219.1		102
10	273.0		127
12	323.8		152
14	355.6		165
16	406.4		178
18	457.0		203
20	508.0		229
22	559.0		254
24	610.0		267
26	660.0		267
28	711.0		267
30	762.0		267
32	813.0		267
34	864.0		267
36	914.0		267
38	965.0		305
40	1016.0		305
42	1067.0		305
44	1118.0		343
46	1168.0		343
48	1219.0		343



# Butt-Welded Bend 180°

## Miscellaneous Data:

### 1. Ordering Information

Example: SD-BCP-1-3

- SD-BCP is the part number
- (1) Black
- (3) Size

### 2. Contact Information

For further information on any aspect of the SHIELD Butt-Welded Fittings please contact below:

MIDDLE EAST & AFRICA	UNITED KINGDOM
Jebel Ali Free Zone, Dubai, UAE P.O Box: 61199 Tel.: +971 4 881 2070 Fax: +971 4 881 2198 Email: shieldme@shielglobal.com	Unit 3, Endeavor Drive, Basildon-Essex, SS3 14WF Tel.: +44 1708 377731 Fax: +44 1708347637 Email: shielduk@shielglobal.com