

SHIELDTM
Trusted Worldwide



FLEXIBLE SPRINKLER

DROP SYSTEM

Extreme Performance





INTRODUCTION

SHIELD is a company created to cater to the infrastructure, fire protection and building services industries with a comprehensive range of products designed to be competitive and of assured quality.

We stay ahead of today's evolving market requirements by committing to a program of continued research and development.

We are able to maintain our high standards by ensuring that our worldwide manufacturing networks are the most advanced in the industry in Europe, Asia and America in terms of quality and delivery lead time. Our fully experienced and professional staff is there to provide engineering expertise and after sales service exactly when you need it.

Combine this with highly responsive and customer focused network of distribution centres around the world, you will find that customer satisfaction is what we excel at.

We are justifiably proud of our global client base. With offices and facilities in the UK and Middle East, we are able to comprehend the specific needs of your particular region.

TABLE OF CONTENTS

1	Flexible Sprinkler Drop
2	<i>Introduction</i>
3	<i>Unbraided Technical Data</i>
3	<i>SDF-N (UL, LPCB)</i>
4	<i>SDF-ND(UL)</i>
5	<i>Braided Technical Data</i>
5	<i>SDF-B (UL, LPCB) + SDF-B (FM)</i>
6	<i>SDF-BD (UL) + SDF-BD (FM)</i>
7	<i>Elbow & Bracket</i>

Save

Time, Labour & Money

Flexible Sprinkler Drop

Introduction:

The SHIELD Flexible Sprinkler drop stainless steel hose fitting, which delivers an inimitable solution for the fire-fighting sprinkler industry. SHIELD hoses are manufactured with corrosion resistant material complying ANSI Grade 304 stainless steel, providing flexibility, high performance durability and reliability.

For safe, quick and cost effective installation on site, SHIELD hose assemblies are supplied as a complete package with a light weight galvanized bracketing system. SHIELD flexible hose systems can be directly installed to the mains water supply line without the need of any special tool.



Flexible Sprinkler Drop



Unbraided Technical Data

SDF-N (UL, LPCB):

Length mm	Rated Pressure		Outlet Connection in	Assembly Length mm	Maximum Number of 90° Bends	Minimum Bend Radius in	Equivalent Length of 1 in Schedule 40 pipe (c=120) ft
	UL psi	LPCB bar					
700	200	14	1 x ½	700	2	4	26
			1 x ¾				31
1000	200	14	1 x ½	1000	3	4	45
			1 x ¾				50
1200	200	14	1 x ½	1200	3	4	51
			1 x ¾				55
1500	200	14	1 x ½	1500	3	4	66
			1 x ¾				70
1800	200	14	1 x ½	1800	3	4	69
			1 x ¾				74

Intended use: Wet & Dry System

NOTE: Please refer to UL/LPCB certificates for more details.

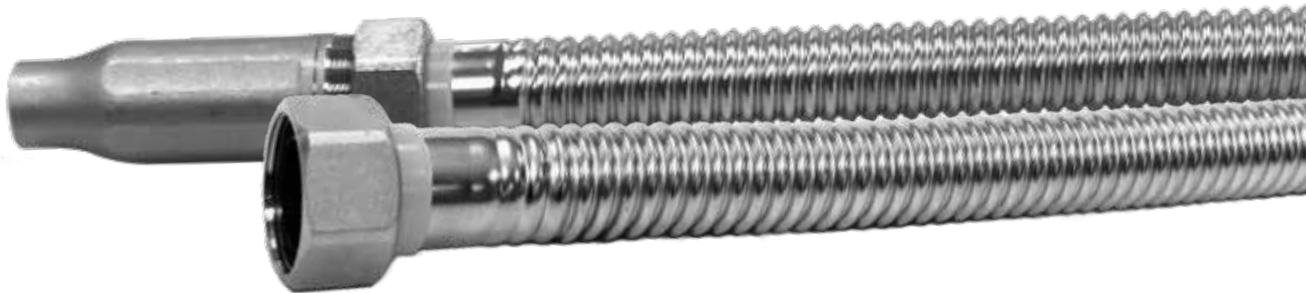
Flexible Sprinkler Drop

Unbraided Technical Data

SDF-ND (UL):

Length mm	Rated Pressure Psi	Outlet Connection in	Assembly Length mm	Maximum Number of 90° Bends	Minimum Bend Radius mm	Equivalent Length of 1 in Schedule 40 pipe (c=120) ft			
700	200	1 x ½	700	2	100	32			
		1 x ¾				31			
1000		1 x ½	1000	3		55			
		1 x ¾				50			
1200		1 x ½	1200			3	64		
		1 x ¾					57		
1500		1 x ½	1500				3	75	
		1 x ¾						68	
1800		1 x ½	1800					3	81
		1 x ¾							79

Intended use: Wet & Dry System



NOTE: Please refer to UL/LPCB certificates for more details.

SHIELD reserves the right to change the contents without notice.

Flexible Sprinkler Drop



Braided Technical Data

SDF-B (UL, LPCB):

Length mm	Rated Pressure		Outlet Connection in	Assembly Length ft (mm)	Maximum Number of 90° Bends	Minimum Bend Radius in	Equivalent Length of 1 in Schedule 40 pipe (c=120) ft
	UL psi	LPCB bar					
700	200	14	1 x 1/2	2.3 (700)	2	4	26
			1 x 3/4				31
1000	200	14	1 x 1/2	3.3 (1000)	3	4	45
			1 x 3/4				50
1200	200	14	1 x 1/2	3.9 (1200)	3	4	51
			1 x 3/4				55
1500	200	14	1 x 1/2	4.9 (1500)	3	4	66
			1 x 3/4				70
1800	200	14	1 x 1/2	5.9 (1800)	3	4	69
			1 x 3/4				74

Intended use: Wet & Dry System

SDF-B (FM):

Length mm	Rated Pressure Psi	NPT in	Hose Assembly Length ft (mm)	K-Factor	Number of Bends	Minimum Bend Radius in	Equivalent Length of 1 in Schedule 40 pipe ft
700	175	1/2	2.3 (700)	5.6	1	9	28.4
		3/4		8.0			27.6
1000	175	1/2	3.3 (1000)	5.6	2	9	45.8
		3/4		8.0			40.8
1200	175	1/2	4.0 (1200)	5.6	2	9	57.4
		3/4		8.0			49.6
1500	175	1/2	5.0 (1500)	5.6	3	9	69.6
		3/4		8.0			62.7
1800	175	1/2	6.0 (1800)	5.6	4	9	81.8
		3/4		8.0			75.8

Intended use: Wet & Dry System



NOTE: Please refer to UL/FM/LPCB certificates for more details.

Flexible Sprinkler Drop

Braided Technical Data

SDF-BD (UL):

Length mm	Rated Pressure Psi	Outlet Connection in	Assembly Length ft (mm)	Maximum Number of 90° Bends	Minimum Bend Radius in	Equivalent Length of 1 in Schedule 40 pipe (c=120) ft
700	200	1 x 1/2	2.3 (700)	3	3	18
		1 x 3/4				20
1000		1 x 1/2	3.3 (1000)	5		23
		1 x 3/4				24
1200		1 x 1/2	3.9 (1200)	7		29
		1 x 3/4				31
1500		1 x 1/2	4.9 (1500)	9		39
		1 x 3/4				40
1800		1 x 1/2	5.9 (1800)	12		50
		1 x 3/4				70

Intended use: Wet & Dry System

SDF-BD (FM):

Length mm	Rated Pressure Psi	NPT in	Hose Assembly Length ft (mm)	K-Factor	Number of Bends	Minimum Bend Radius in	Equivalent Length of 1 in Schedule 40 pipe ft
700	175	1/2	2.3 (700)	5.6	1	9	22.9
		3/4		8.0			15.7
1000		1/2	3.3 (1000)	5.6	2		34.6
		3/4		8.0			26.9
1200		1/2	3.9 (1200)	5.6	3		41.0
		3/4		8.0			34.8
1500		1/2	4.9 (1500)	5.6	4		50.4
		3/4		8.0			43.8
1800		1/2	5.9 (1800)	5.6	4		58.5
		3/4		8.0			53.4

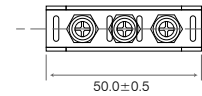
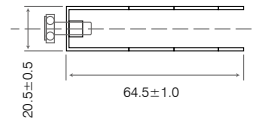
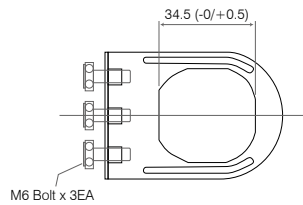
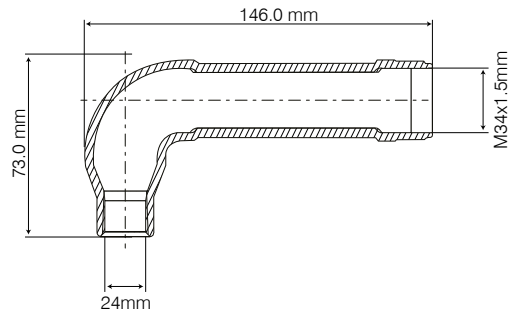
Intended use: Wet & Dry System

NOTE: Please refer to UL/FM certificates for more details.

Flexible Sprinkler Drop

Elbow & Bracket:

Name	Specification
Square bar	700mm, 0.8t
Elbow	M34 x 1/2"NPT, 90L
Center Bracket	Open gate type
Center Bracket	Closed type
Square bar	1300mm, 0.8t
Square bar	700mm, 0.8t
Nipple	M34 x 1"NPT, 60L
Rubber Ring	OD:31.6 / ID:26.6 / T:3.5
Reducer	M34 x 1/2"NPT, 110L
Reducer	M34 x 3/4"NPT, 110L
Reducer	M34 x 1/2"NPT, 150L
Side Bracket	58mm, Screw bolt
Side Bracket	98mm, Screw bolt
Side Bracket	38mm, Screw bolt
Side Bracket	68mm, Wing bolt
Side Bracket	98mm, Wing bolt



Inlet Nipple

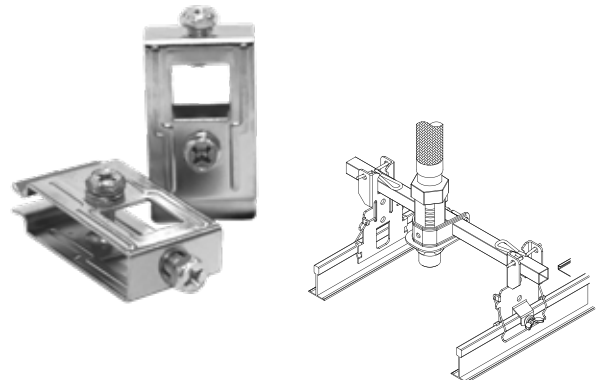


SDF-N25

Bottom Up Reducer



Wing Bracket



Centre Bracket



Square Bar



SHIELDTM

Trusted Worldwide



For further information on any aspect of the SHIELD range of Flexible Sprinkler please contact your nearest office.

UNITED KINGDOM

Redburn House, 2A Tonbridge Road,
Romford, Essex, RM3 8QE,
United Kingdom.

Email: shielduk@shieldglobal.com

Tel: +44 1708 377731

Fax: +44 1708 347637

MIDDLE EAST & AFRICA

Jebel Ali Free Zone, Dubai, UAE
Email: shieldme@shieldglobal.com

Tel: +971 4 881 2070

Fax: +971 4 881 2198